



BMZ Bronze Bushing (PRM.. / BK90.. / ..MBZ)

low maintenance split bronze bushing with lubrication pockets.



Material: Bronze (CuSn8P)

Material properties:

Maintenance: Low maintenance

Basic load rating:

Static: 120 N/mm²

Dynamic: 40 N/mm²

Sliding speed: max. 2,5 m/s

Friction value: 0,05 to 0,12

Temperature: -40°C to +250°C

Max. Pv. Value: 2,8 N/mm² x m/s

Tolerances:

Housing bore: H7

Tolerance after fitting: H9

Shaft: f7

Shaft materials: Steel, roughness \leq Rz 6,3

Assembly:

Housing bore: Chamfer \sim 1,5 mm x 15-45°

Shaft: Chamfer 5 mm x 45°.
Rounded edges

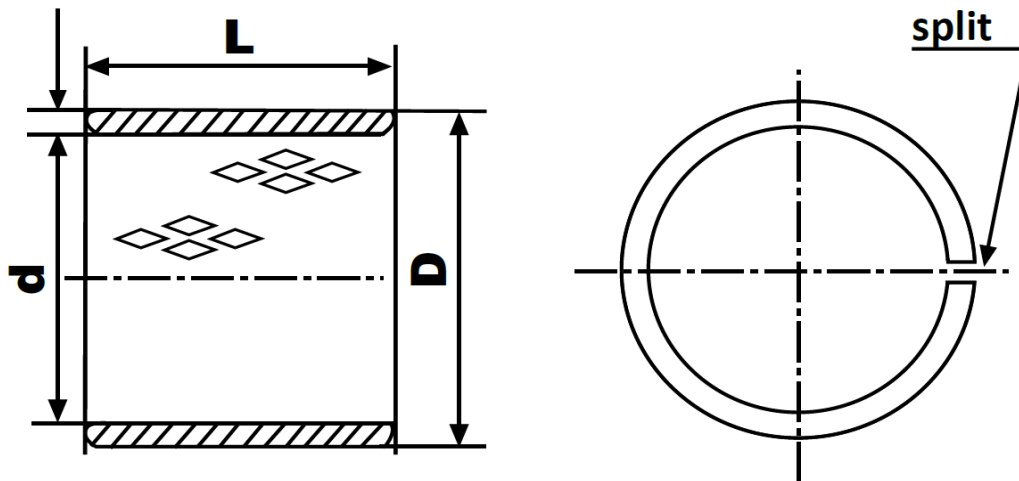
Mounting mandrel:

The usage of a suitable mounting mandrel is advisable. It may be necessary to grease the outer surfaces during installation



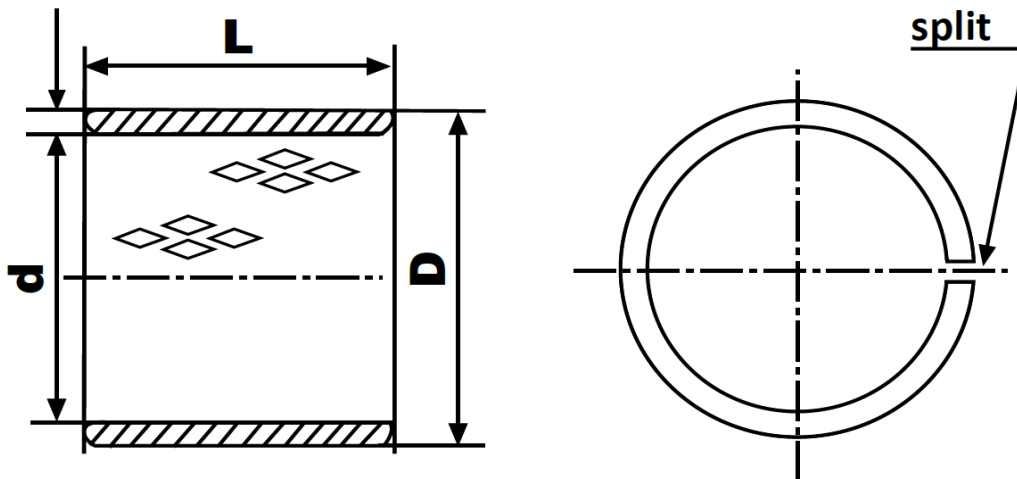
BMZ Bronze Bushing (PRM.. / BK90.. / ..MBZ)

low maintenance split bronze bushing with lubrication pockets.



Dimensions (mm)

d	D	Available lengths L
10	12	10 - 15 - 20
12	14	10 - 15 - 20
14	16	10 - 15 - 20 - 25
15	17	10 - 15 - 20 - 25
16	18	10 - 15 - 20 - 25
18	20	10 - 15 - 20 - 25
18	21	15 - 20 - 25
20	22	10 - 15 - 20 - 25
20	23	10 - 15 - 20 - 25 - 30
22	25	10 - 15 - 20 - 25 - 30
24	27	15 - 20 - 25
24	28	10 - 15 - 20 - 25 - 30
25	28	15 - 20 - 25 - 30 - 50
28	31	15 - 20 - 25 - 30
28	32	15 - 20 - 25 - 30
30	34	15 - 20 - 25 - 30 - 35 - 40
32	36	15 - 20 - 25 - 30 - 35 - 40
35	39	20 - 25 - 30 - 40 - 50
40	44	20 - 25 - 30 - 35 - 40 - 50
45	50	20 - 25 - 30 - 35 - 40 - 50 - 60
50	55	20 - 25 - 30 - 35 - 40 - 50 - 60
55	60	20 - 25 - 30 - 35 - 40 - 50 - 60
60	65	25 - 30 - 35 - 40 - 45 - 50 - 60 - 70
65	70	30 - 35 - 40 - 50 - 60 - 70
70	75	30 - 35 - 40 - 45 - 50 - 60 - 80
75	80	30 - 35 - 40 - 50 - 60 - 70 - 80
80	85	30 - 35 - 40 - 50 - 60 - 70 - 80
85	90	30 - 35 - 40 - 50 - 60 - 70 - 80 - 90
90	95	30 - 35 - 40 - 50 - 60 - 70 - 80 - 90 - 100



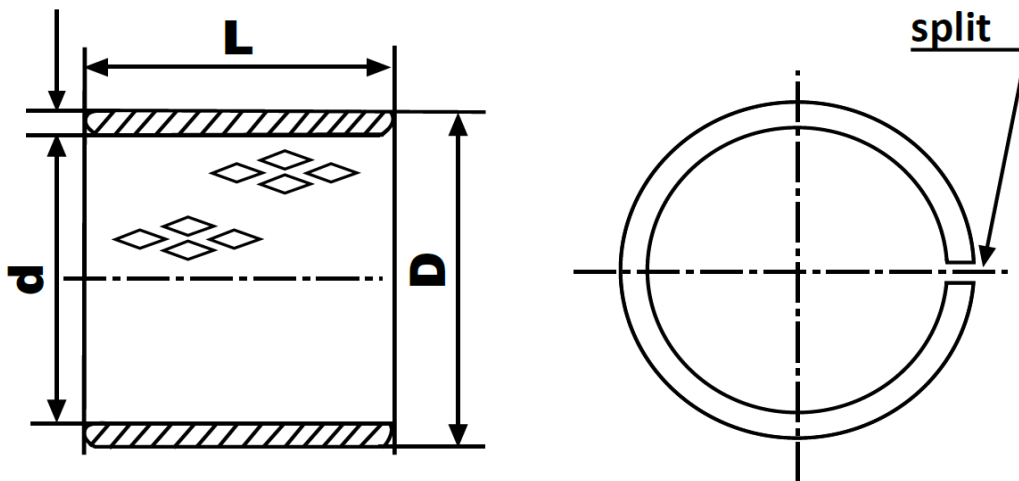
Dimensions (mm)

d	D	Available lengths L
95	100	40 - 50 - 60 - 70 - 80 - 90 - 100
100	105	40 - 50 - 60 - 70 - 80 - 90 - 95 - 100
105	110	50 - 60 - 70 - 80 - 90 - 100
110	115	50 - 60 - 70 - 80 - 90 - 95 - 100
115	120	50 - 60 - 70 - 80 - 90 - 100
120	125	25 - 50 - 60 - 70 - 80 - 90 - 95 - 100
125	130	60 - 70 - 80 - 90 - 100
130	135	60 - 70 - 80 - 90 - 100
135	140	60 - 70 - 80 - 90 - 100
140	145	50 - 60 - 70 - 80 - 90 - 100
145	150	60 - 70 - 80 - 90 - 100
150	155	45 - 60 - 70 - 80 - 90 - 100
155	160	60 - 70 - 80 - 90 - 100
160	165	60 - 70 - 80 - 90 - 100
165	170	60 - 70 - 80 - 90 - 100
170	175	60 - 70 - 80 - 90 - 100
175	180	60 - 70 - 80 - 90 - 100
180	185	45 - 60 - 70 - 80 - 90 - 100
185	190	60 - 70 - 80 - 90 - 100
190	195	60 - 70 - 80 - 90 - 100
195	200	60 - 70 - 80 - 90 - 100
200	205	60 - 70 - 80 - 90 - 100
205	210	60 - 70 - 80 - 80 - 100
210	215	60 - 70 - 80 - 90 - 100
215	220	60 - 70 - 80 - 90 - 100
220	225	60 - 70 - 80 - 90 - 100
225	230	60 - 70 - 80 - 90 - 100
230	235	60 - 70 - 80 - 90 - 100



BMZ Bronze Bushing (PRM.. / BK90.. / ..MBZ)

low maintenance split bronze bushing with lubrication pockets.



Dimensions (mm)

d	D	Available lengths L
240	245	60 - 70 - 80 - 90 - 100
250	255	60 - 70 - 80 - 90 - 100
260	265	60 - 70 - 80 - 90 - 100
270	275	60 - 70 - 80 - 90 - 100
280	285	60 - 70 - 80 - 90 - 100
290	295	60 - 70 - 80 - 90 - 100
300	305	60 - 70 - 80 - 90 - 100