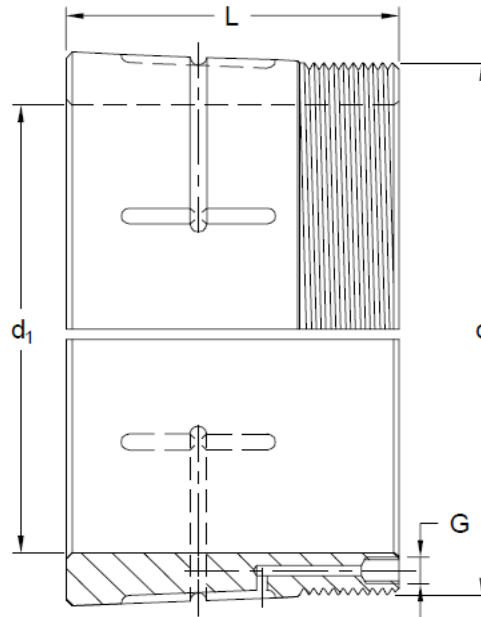
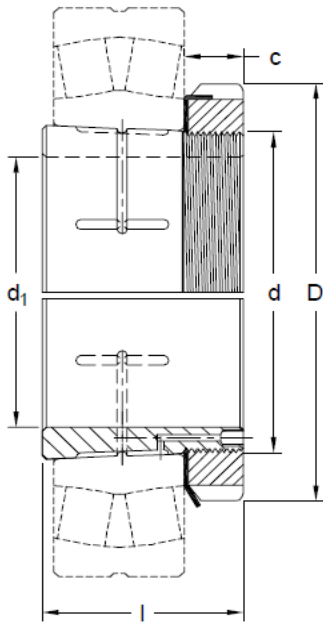


H 31.. H Series (OH 31..)

Hydraulic Adapter Sleeves for 231.. Series Spherical bearings, use with shaft tolerances h7, h8 and h9.



Product No.	Dimension (mm)						Nut	Lock Washer	G	Weight (kg)
	d_1	d	l	D	c	c_1				
H 3132 H	140	160	119	210	28	-	KM32	MB32	M6	7,7
H 3134 H	150	170	122	220	29	-	KM34	MB34	M6	8,4
H 3136 H	160	180	131	230	30	-	KM36	MB36	M6	9,5
H 3138 H	170	190	141	240	31	-	KM38	MB38	M6	11,0
H 3140 H	180	200	150	250	32	-	KM40	MB40	M6	12,0
H 3144 H	200	220	161	280	32	44	HM3144	MS3144	M6	14,7
H 3148 H	220	240	172	300	34	46	HM3148	MS3148	M6	17,3
H 3152 H	240	260	190	330	36	49	HM3152	MS3152	M6	22,0
H 3156 H	260	280	195	350	38	51	HM3156	MS3156	M6	24,5
H 3160 H	280	300	208	380	40	53	HM3160	MS3160	M6	30,2
H 3164 H	300	320	226	400	42	56	HM3164	MS3164	M6	34,9
H 3168 H	320	340	254	440	55	72	HM3168	MS3168	M6	49,5
H 3172 H	340	360	259	460	58	75	HM3172	MS3172	M6	54,2
H 3176 H	360	380	264	490	60	77	HM3176	MS3176	M6	61,7
H 3180 H	380	400	272	520	62	82	HM3180	MS3180	M6	70,6
H 3184 H	400	420	304	540	70	90	HM3184	MS3184	M6	84,2
H 3188 H	410	440	307	560	70	90	HM3188	MS3188	M8	104,0
H 3192 H	430	460	326	580	75	95	HM3192	MS3192	M8	116,0
H 3196 H	450	480	335	620	75	95	HM3196	MS3196	M8	133,0