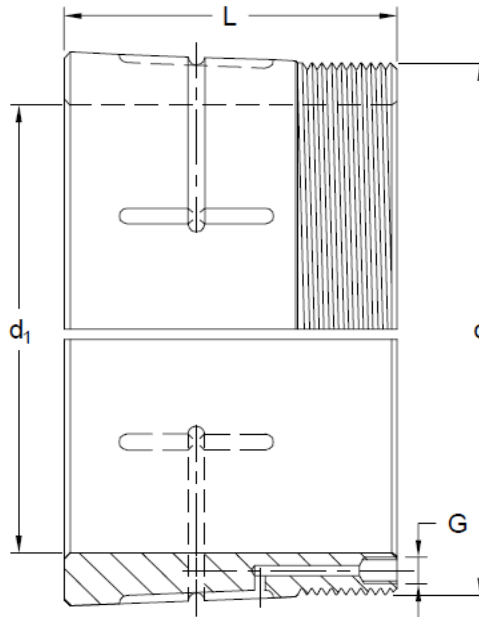
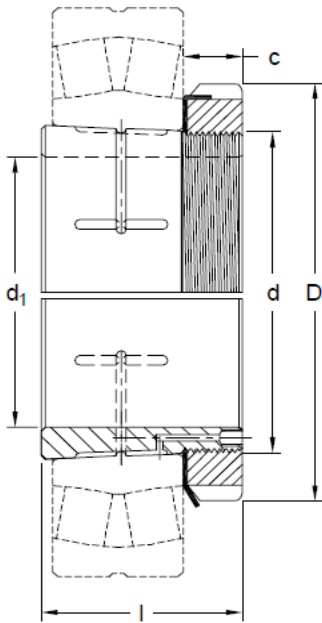


## H 30.. H Series (OH 30..)

Hydraulic Adapter Sleeves for 230.. Series Spherical bearings, use with shaft tolerances h7, h8 and h9.



Product No.	Dimension (mm)						Nut	Lock Washer	G	Weight (kg)
	$d_1$	$d$	$l$	$D$	$c$	$c_1$				
H 3032 H	140	160	93	190	27,5	-	KML32	MBL32	M6	5,2
H 3034 H	150	170	101	200	28,5	-	KML34	MBL34	M6	6,0
H 3036 H	160	180	109	210	29,5	-	KML36	MBL36	M6	6,9
H 3038 H	170	190	112	220	30,5	-	KML38	MBL38	M6	7,5
H 3040 H	180	200	120	240	31,5	-	KML40	MBL40	M6	9,2
H 3044 H	200	220	128	260	30,0	41	HM3044	MS3044	M6	10,3
H 3048 H	220	240	133	290	34,0	46	HM3048	MS3048	M6	13,2
H 3052 H	240	260	147	310	34,0	46	HM3052	MS3052	M6	15,3
H 3056 H	260	280	152	330	38,0	50	HM3056	MS3056	M6	17,7
H 3060 H	280	300	168	360	42,0	54	HM3060	MS3060	M6	22,8
H 3064 H	300	320	171	380	42,0	55	HM3064	MS3064	M6	24,6
H 3068 H	320	340	187	400	45,0	58	HM3068	MS3068	M6	28,7
H 3072 H	340	360	188	420	45,0	58	HM3072	MS3072	M6	30,5
H 3076 H	360	380	193	450	48,0	62	HM3076	MS3076	M6	35,8
H 3080 H	380	400	210	470	52,0	66	HM3080	MS3080	M6	41,3
H 3084 H	400	420	212	490	52,0	66	HM3084	MS3084	M6	43,7
H 3088 H	410	440	228	520	60,0	77	HM3088	MS3088	M8	65,2
H 3092 H	430	460	234	540	60,0	77	HM3092	MS3092	M8	69,5
H 3096 H	450	480	237	560	60,0	77	HM3096	MS3096	M8	73,3