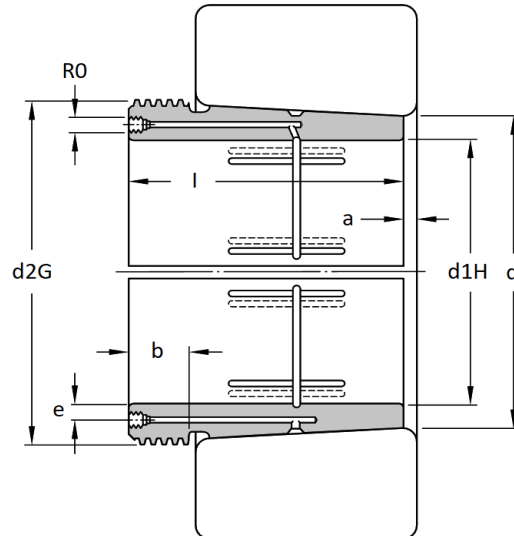
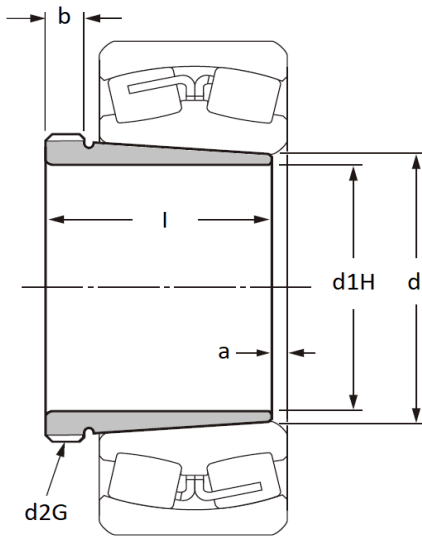


AH 2400 Series - Withdrawal Sleeves

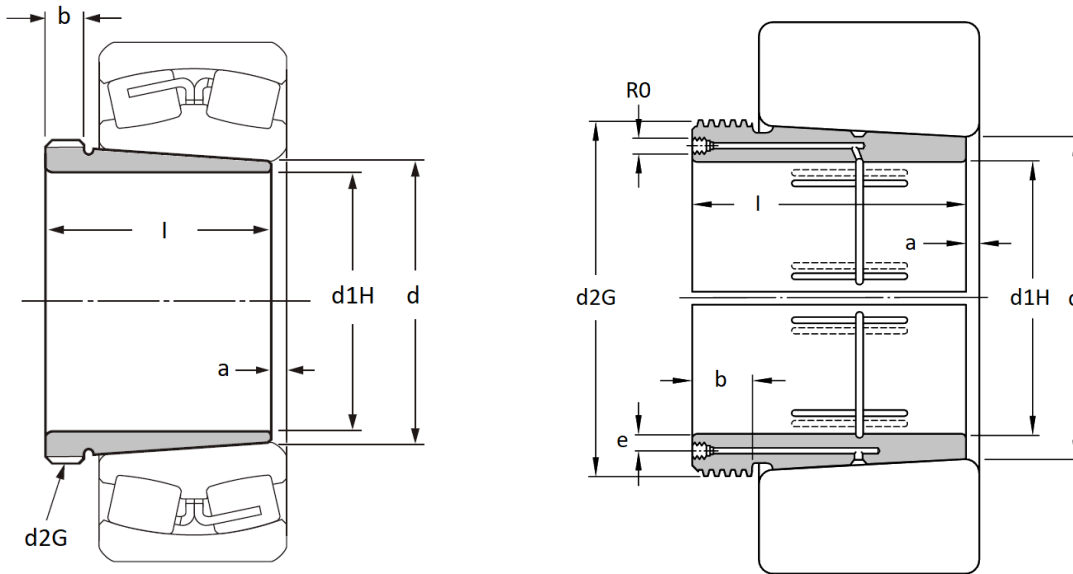
main dimensions to DIN 5416, taper 1:30, use with shaft tolerances h7, h8 and h9. Prefix AOH = Hydraulic mounting, suffix G = different thread.



Part No.	Dimensions (mm)								Weight (kg)
	d1H	l	a	b	d	d2G	e	R0	
AH 24020	95	62	9	12	100	M105x2	-	-	0,50
AH 24022	105	73	9	13	110	M115x2	-	-	0,65
AH 24024	115	73	9	13	120	M125x2	-	-	0,71
AH 24026	125	83	10	14	130	M135x2	-	-	0,89
AH 24028	135	83	10	14	140	M145x2	-	-	0,96
AH 24030	145	90	11	15	150	M155x3	-	-	1,12
AOH 24032	150	95	11	15	160	M170x3	4,2	M6	2,27
AH 24032	150	95	11	15	160	M170x3	-	-	2,31
AH 24034	160	106	11	16	170	M180x3	-	-	2,76
AH 24036	170	116	11	16	180	M190x3	-	-	3,21
AH 24038	180	118	13	18	190	M200x3	-	-	3,48
AH 24040	190	127	13	18	200	Tr210x4	-	-	3,96
AOH 24040	190	127	13	18	200	Tr210x4	8	M6	3,93
AOH 24044	200	138	14	18	220	Tr230x4	8	M6	8,22
AH 24044	200	138	14	18	220	Tr230x4	-	-	8,22
AH 24048	220	138	15	20	240	Tr250x4	-	-	9,03
AOH 24048	220	138	15	20	240	Tr250x4	8,5	G1/8	9,03
AOH 24052	240	162	16	20	260	Tr270x4	8,5	M6	11,60
AOH 24052 G	240	162	16	20	260	Tr280x4	8,5	M6	12,30
AH 24052 G	240	162	16	20	260	Tr280x4	-	-	12,30
AH 24052	240	162	16	20	260	Tr270x4	-	-	11,60
AH 24056	260	162	17	22	280	Tr290x4	-	-	12,60
AH 24056 G	260	162	17	22	280	Tr300x4	-	-	13,40
AOH 24056 G	260	162	17	22	280	Tr300x4	8,5	M6	13,40
AOH 24056	260	162	17	22	280	Tr290x4	8,5	M6	12,60
AOH 24060	280	184	18	24	300	Tr310x5	8,5	M6	15,50

AH 24000 Series - Withdrawal Sleeves

main dimensions to DIN 5416, taper 1:30, use with shaft tolerances h7, h8 and h9. Prefix AOH = Hydraulic mounting, suffix G = different thread.



Part No.	Dimensions (mm)								Weight (kg)
	d1H	l	a	b	d	d2G	e	R0	
AOH 24060 G	280	184	18	24	300	Tr320x5	8,5	M6	16,4
AH 24060 G	280	184	18	24	300	Tr320x5	-	-	16,4
AH 24060	280	184	18	24	300	Tr310x5	-	-	15,5
AOH 24064 G	300	184	18	24	320	Tr340x5	8,5	M6	17,5
AOH 24064	300	184	18	24	320	Tr330x5	8,5	M6	16,6
AOH 24068	320	206	19	26	340	Tr360x5	8,5	G1/8	21,1
AOH 24072	340	206	20	26	360	Tr380x5	8,5	G1/8	22,3
AOH 24076	360	208	20	28	380	Tr400x5	8,5	G1/8	24,0
AOH 24080	380	228	20	28	400	Tr420x5	8,5	G1/8	27,8
AOH 24084	400	230	22	30	420	Tr440x5	8,5	G1/8	29,6
AOH 24088	420	242	22	30	440	Tr460x5	8,5	G1/8	32,8
AOH 24092	440	250	23	32	460	Tr480x5	8,5	G1/8	35,6
AOH 24096	460	250	23	32	480	Tr500x5	8,5	G1/8	37,2