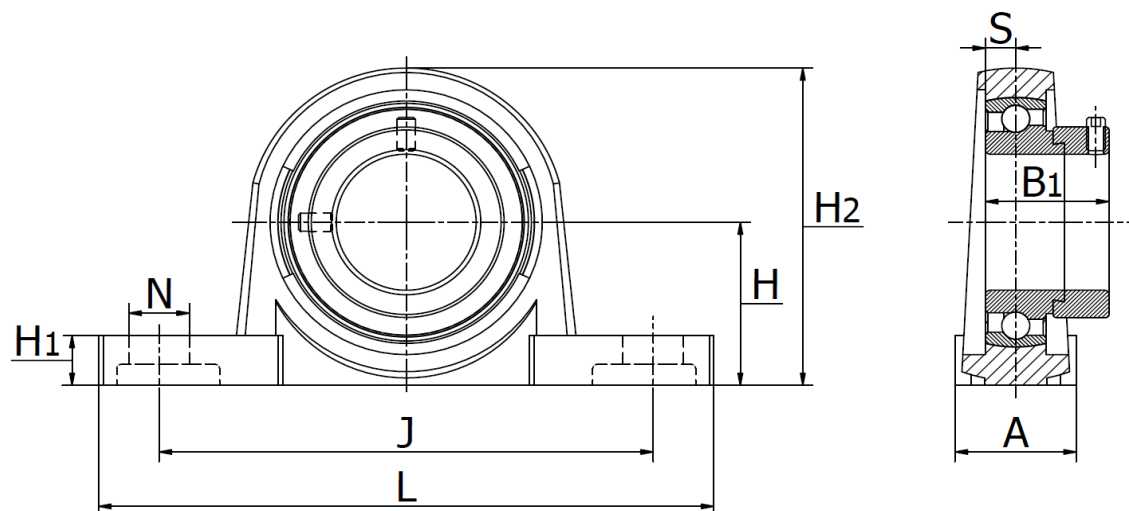




## MUP000.U2 - Pillow Block Housing Series

Silver Series, rustproof zinc aluminium housing, stainless steel bearings, eccentric locking collar.



Inner & Outer Races: AISI 420-440 Stainless  
 Balls: AISI 420-440 Stainless  
 Seals: Rubber  
 Eccentric Locking Collar: AISI 304 Stainless  
 Grease: FDA food approved grease

Shaft $\phi$ (mm)	Unit No.	Dimensions (mm)									Mounting bolt size	Weight (g)	Basic load rating (N)	
		H	L	J	A	N	H <sub>1</sub>	H <sub>2</sub>	B <sub>1</sub>	S			Cr	Cor
8	<b>MUP08.U2</b>	15	55	42	13	4,8	5	29	15,0	3,5	M 4	47	2840	1420
10	<b>MUP000.U2</b>	18	67	53	16	7,0	6	35	17,5	4,0	M 6	77	3900	1550
12	<b>MUP001.U2</b>	19	71	56	16	7,0	6	38	17,5	4,0	M 6	91	4300	1900
15	<b>MUP002.U2</b>	22	80	63	16	7,0	7	43	18,5	4,5	M 6	125	4750	2250
17	<b>MUP003.U2</b>	24	85	67	18	7,0	7	47	20,5	5,0	M 6	156	5100	2650
20	<b>MUP004.U2</b>	28	100	80	20	10,0	9	55	24,5	6,0	M 8	230	7900	4000
25	<b>MUP005.U2</b>	32	112	90	20	10,0	10	62	25,5	6,0	M 8	294	8600	4650
30	<b>MUP006.U2</b>	36	132	106	26	13,0	11	70	26,5	6,5	M 10	454	11300	6600