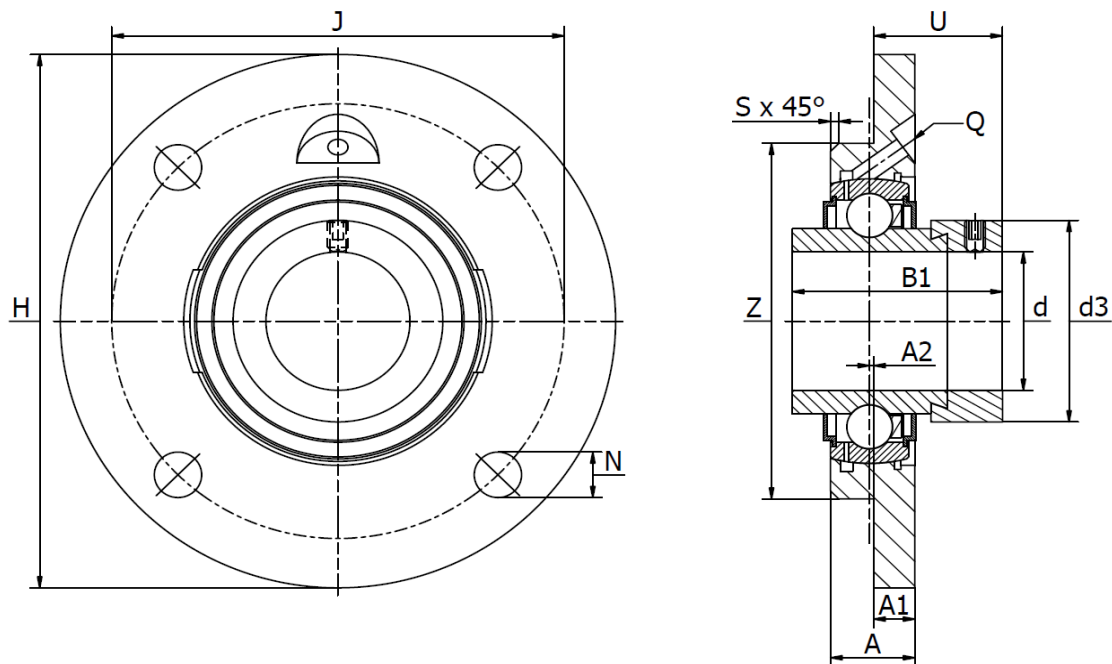




## RVFW .. A ZP series (RME..FA125)

Eccentric Collar Lock, Zinc plating (Corro.). Temperature range -30°C to +110°C



Part No.	Dimensions (mm)													Bearing No.	Cover	Weight (kg)
	d mm	H	B <sub>1</sub>	A	A <sub>1</sub>	A <sub>2</sub>	d <sub>3 max</sub>	J	N	Q	S	U	Z			
RVFW 20 A	20	100	43,7	17,0	8,0	2,0	33,0	78	9,0	M6	2	24,6	62	HC 204 ZP	N/A	0,57
RVFW 25 A	25	115	44,4	19,0	9,0	2,5	37,5	90	9,0	M6	2	24,4	70	HC 205 ZP	KASK05	0,80
RVFW 30 A	30	125	48,4	20,5	9,5	2,0	44,0	100	11,5	M6	2	28,1	80	HC 206 ZP	KASK06	1,04
RVFW 35 A	35	135	51,1	20,5	10,0	1,0	51,0	110	11,5	M6	2	31,3	90	HC 207 ZP	KASK07	1,34
RVFW 40 A	40	145	56,3	23,0	11,5	1,0	60,3	120	11,5	M6	2	33,9	100	HC 208 ZP	KASK08	1,74
RVFW 45 A	45	155	56,3	25,0	12,0	2,0	63,0	130	14,0	M6	2	32,9	105	HC 209 ZP	Cover Ø45	2,05
RVFW 50 A	50	165	62,7	25,0	13,0	1,0	69,0	135	14,0	M6	3	37,1	110	HC 210 ZP	KASK10	2,53
RVFW 55 A	55	185	71,4	27,5	15,0	0,0	76,0	150	18,0	M6	3	43,6	125	HC 211 ZP	N/A	3,37
RVFW 60 A	60	195	77,8	29,0	16,0	1,0	84,0	160	18,0	Rp1/8"	3	45,8	135	HC 212 ZP	N/A	3,99