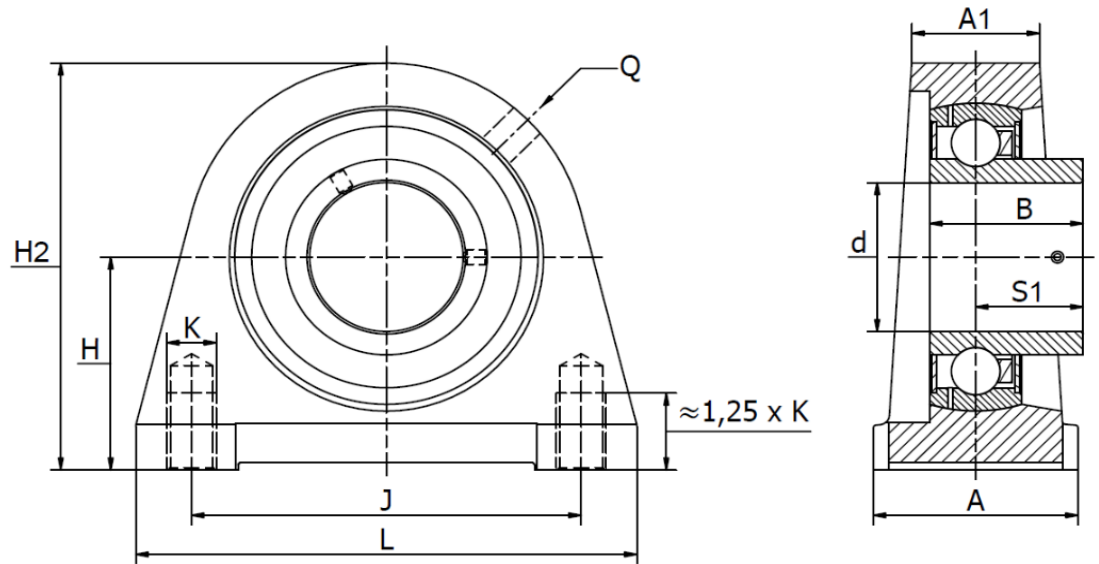




SWG .. S Series (PSHEY)

Normal Duty, Set Screw Locking. Temperature range -30°C to +110°C



Part No.	Dimensions											Bearing No.	Weight kg
	d	L	H ₂	A	A ₁	B	H	J	K	Q	S ₁		
SWG 12 S	12	63	57	30	18	22	30,2	47,0	M8	M6	16,0	SB 201	0,42
SWG 15 S	15	63	57	30	18	22	30,2	47,0	M8	M6	16,0	SB 202	0,41
SWG 17 S	17	63	57	30	18	22	30,2	47,0	M8	M6	16,0	SB 203	0,40
SWG 20 S	20	65	64	32	19	25	33,3	50,8	M8	M6	18,0	SB 204	0,42
SWG 25 S	25	70	70	36	21	27	36,5	50,8	M10	1/8"	19,5	SB 205	0,57
SWG 30 S	30	98	82	40	25	30	42,9	76,2	M10	1/8"	21,0	SB 206	0,88
SWG 35 S	35	103	93	45	27	35	47,6	82,6	M10	1/8"	25,5	SB 207	1,19
SWG 40 S	40	116	99	48	30	39,5	49,2	88,9	M12	1/8"	29,0	SB 208	1,73
SWG 45 S	45	120	107	48	32	41,5	54,0	95,3	M12	1/8"	30,5	SB 209	1,91
SWG 50 S	50	135	115	54	34	43	57,2	101,6	M16	1/8"	32,0	SB 210	2,64
SWG 60 S	60	150	140	60	42	47	69,9	118,0	M16	1/8"	34,0	SB 212	3,60