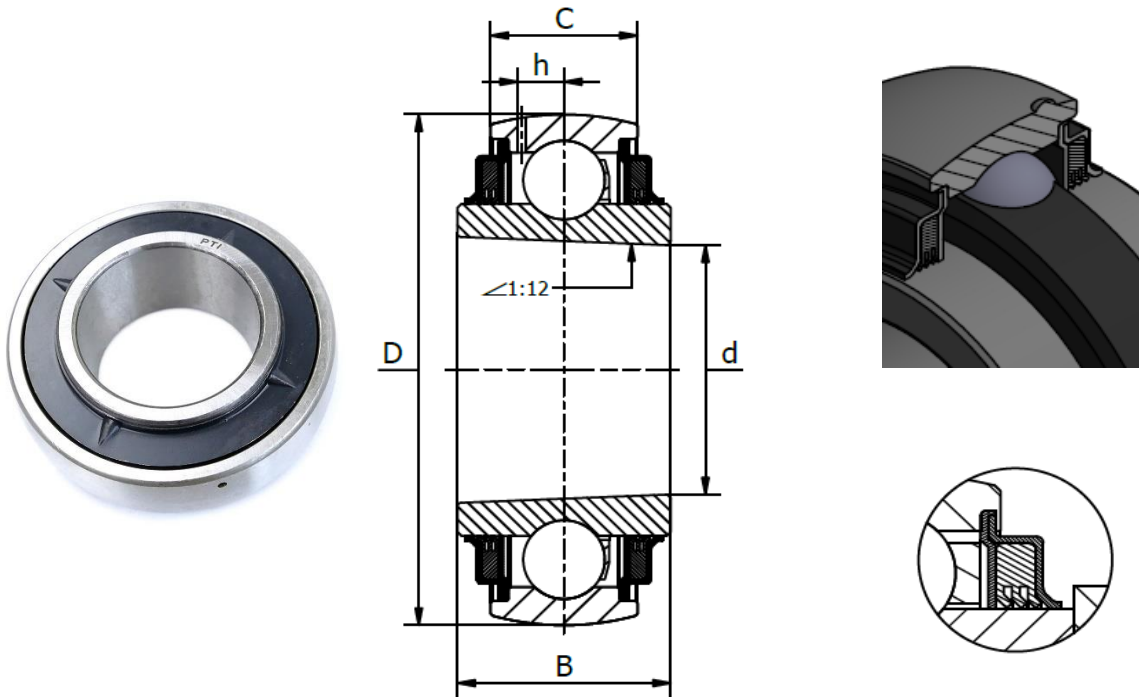




## UK 200 R3 Series - Radial Insert Ball Bearings

Triple lip seals, for adapter sleeve, universal regreaseable acc. to common european and japanese standards, lithium based NLGI 2/3 grease. Temperature range -30°C to +110°C.



Bearing No.	Dimensions(mm)					Basic load rating (N)		Adapter Sleeve	Shaft diam. with adapter sleeve (mm)	Weight (kg)
	d	D	B	C	h	Dynamic $C_r$	Static $C_{or}$			
UK 205 R3	25	52	21	15	4,3	14.000	7.880	H2305	20	0,15
UK 206 R3	30	62	25	19	5,0	19.500	11.200	H2306	25	0,25
UK 207 R3	35	72	27	20	5,8	25.700	15.200	H2307	30	0,37
UK 208 R3	40	80	29	21	6,3	29.600	18.200	H2308	35	0,48
UK 209 R3	45	85	33	22	6,4	31.850	20.800	H2309	40	0,53
UK 210 R3	50	90	32	22	6,5	35.100	23.200	H2310	45	0,59
UK 211 R3	55	100	33	27	7,2	43.550	29.200	H2311	50	0,77
UK 212 R3	60	110	36	27	8,2	47.800	32.800	H2312	55	1,03
UK 213 R3	65	120	36	28	8,0	57.200	40.000	H2313	60	1,36
UK 215 R3	75	130	41	30	9,0	66.000	49.500	H2315	65	1,67
UK 216 R3	80	140	44	33	10,3	71.500	54.200	H2316	70	1,96
UK 217 R3	85	150	44	35	11,0	83.200	63.800	H2317	75	2,42
UK 218 R3	90	160	47	37	-	96.000	63.500	H2318	80	4,75

Matching adapter sleeve catalogue:

<https://pti.eu/pdf/adapters/H2300.pdf>