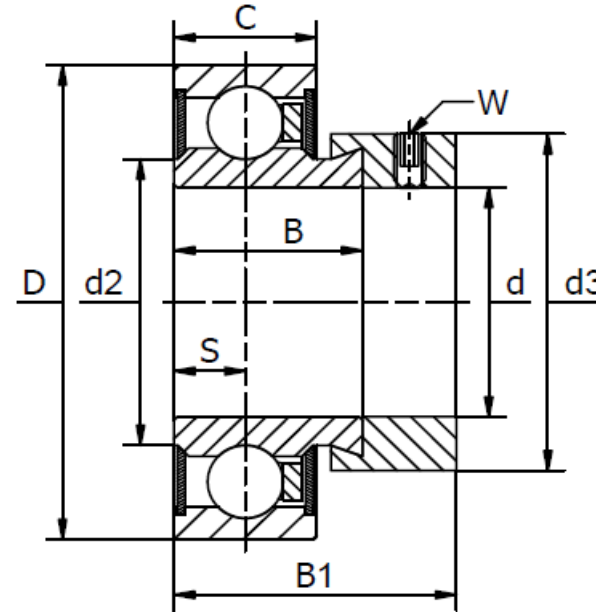




RAE .. NPP.FA106 (CSA) - Radial insert ball bearings

Cylindrical outer ring, location by eccentric locking collar, P seals on both sides, lithium based NLGI 2/3 grease.
Temperature range -30°C to +110°C.



| Bearing No. | Dimensions (mm) | | | | | | | | | Basic load rating (N) | | Weight (kg) |
|----------------|-----------------|-----|----------------|------|----|----------------|--------------------|------|-----|-----------------------|-----------------|-------------|
| | d | D | B ₁ | B | C | d ₂ | d _{3 max} | S | W | C _r | C _{or} | |
| RAE12NPP.FA106 | 12 | 40 | 28,6 | 19,0 | 12 | 23,0 | 28,0 | 6,5 | M6 | 9800 | 4750 | 0,13 |
| RAE15NPP.FA106 | 15 | 40 | 28,6 | 19,0 | 12 | 23,0 | 28,0 | 6,5 | M6 | 9800 | 4750 | 0,12 |
| RAE17NPP.FA106 | 17 | 40 | 28,6 | 19,0 | 12 | 23,0 | 28,0 | 6,5 | M6 | 9800 | 4750 | 0,11 |
| RAE20NPP.FA106 | 20 | 47 | 31,0 | 21,4 | 14 | 26,9 | 33,0 | 7,5 | M6 | 12800 | 6600 | 0,17 |
| RAE25NPP.FA106 | 25 | 52 | 31,0 | 21,4 | 15 | 30,5 | 37,5 | 7,5 | M6 | 14000 | 7800 | 0,20 |
| RAE30NPP.FA106 | 30 | 62 | 35,8 | 23,8 | 18 | 37,4 | 44,0 | 9,0 | M8 | 19500 | 11300 | 0,33 |
| RAE35NPP.FA106 | 35 | 72 | 39,0 | 25,4 | 19 | 44,6 | 51,0 | 9,5 | M10 | 25500 | 15300 | 0,49 |
| RAE40NPP.FA106 | 40 | 80 | 43,8 | 30,2 | 21 | 49,4 | 58,0 | 11,0 | M10 | 32500 | 19800 | 0,64 |
| RAE45NPP.FA106 | 45 | 85 | 43,8 | 30,2 | 22 | 54,5 | 63,0 | 11,0 | M10 | 32500 | 20400 | 0,72 |
| RAE50NPP.FA106 | 50 | 90 | 43,8 | 30,2 | 22 | 59,4 | 69,0 | 11,0 | M10 | 35000 | 23200 | 0,79 |
| RAE60NPP.FA106 | 60 | 110 | 53,1 | 37,1 | 24 | 72,0 | 84,0 | 13,5 | M10 | 52000 | 36000 | 1,43 |