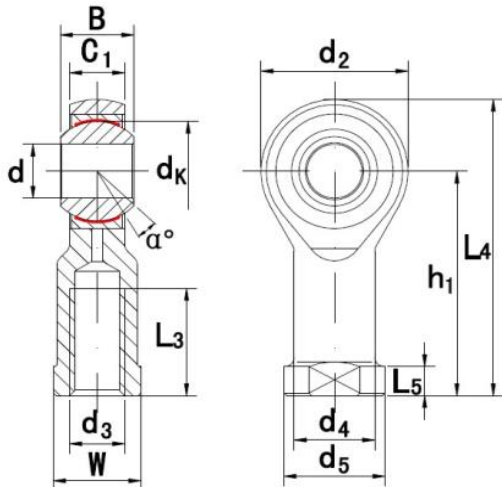


GIKL..PW - Rod ends

with internal thread, maintenance free, to DIN ISO 12 240-4, left hand thread, (SI..T/K / GIKFL..PW).



Rod body with left-hand female thread.

It is made up of a radial spherical plain bearing and rod body.

Surface of rod body zinc plated.

Part No.	Dimensions (mm)													Load ratings (kN)		Weight (kg)	
	d	d ₃	B	C ₁	L ₃	W	d ₂	h ₁	L ₄	L ₅	d ₄	d ₅	d _k	α	dyn. C		stat. C0
GIKL5PW	5	M5x0,8	8	6	10	9	18	27	36	4	8,5	11	11,11	13	5,7	6	0,016
GIKL6PW	6	M6x1,0	9	6,75	12	11	20	30	40	5	10	13	12,7	13	7,2	7,65	0,022
GIKL8PW	8	M8x1,25	12	9	16	14	24	36	48	5	12,5	16	15,875	14	11,6	12,9	0,047
GIKL10PW	10	M10x1,5	14	10,5	20	17	28	43	57	6,5	15	19	19,05	13	14,5	18	0,077
GIKL12PW	12	M12x1,75	16	12	22	19	32	50	66	6,5	17,5	22	22,225	13	17	24	0,1
GIKL14PW	14	M14x2,0	19	13,5	25	22	36	57	75	8	20	25	25,4	16	24	31	0,16
GIKL16PW	16	M16x2,0	21	15	28	22	42	64	85	8	22	27	28,575	15	28,5	39	0,22
GIKL18PW	18	M18x1,5	23	16,5	32	27	44	71	93	10	25	31	31,75	15	42,5	47,5	0,32
GIKL20PW	20	M20x1,5	25	18	33	30	50	77	102	10	27,5	34	34,925	14	42,5	57	0,42
GIKL22PW	22	M22x1,5	28	20	37	32	54	84	111	12	30	38	38,1	15	57	68	0,54
GIKL25PW	25	M24x2,0	31	22	42	36	60	94	124	12	33,5	42	42,86	15	68	85	0,72
GIKL28PW	28	M27x2,0	35	24	51	41	66	103	136	14	37	46	47,63	15	86	107	0,82
GIKL30PW	30	M30x2,0	37	25	51	41	70	110	145	15	40	50	50,8	17	88	114	1100
GIKL35PW	35	M36x2,0	43	28	56	50	81	125	165,5	17	46	58	57,15	16	-	-	1600
GIKL40PW	40	M42x2,0	49	33	60	55	91	142	187,5	19	53	65	66,67	16	-	-	2400
GIKL50PW	50	M48x2,0	60	45	65	65	117	160	218,5	23	65	75	82,5	12	-	-	5000