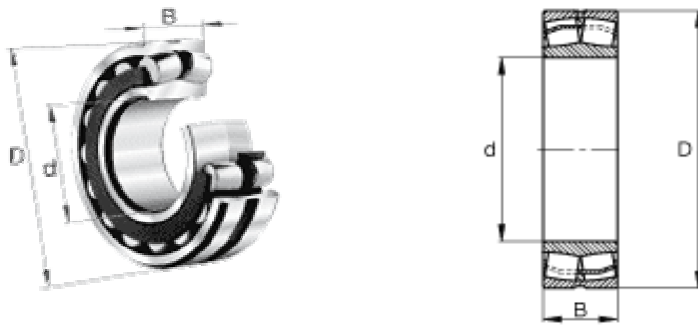


## Spherical roller bearing 23900



Type	Dimensions				Basic radial load rating (N)		Speed (1/min)	
	d	D	B	m	Dynamic	Static	Limiting	Reference
<b>23936</b>	180	250	52	7,96	396000	765000	2200	1900
<b>23938</b>	190	260	52	8,43	441000	828000	2000	1700
<b>23940</b>	200	280	60	11,80	495000	972000	2000	1700
<b>23944</b>	220	300	60	12,30	540000	1125000	1800	1500
<b>23948</b>	240	320	60	13,90	576000	1233000	1500	1300
<b>23952</b>	260	360	75	24,10	837000	1737000	1400	1200
<b>23956</b>	280	380	75	25,50	868500	1836000	1300	1100
<b>23960</b>	300	420	90	40,60	1143000	2385000	1200	1000
<b>23964</b>	320	440	90	41,80	1188000	2475000	1100	950
<b>23968</b>	340	460	90	47,80	1233000	2700000	1100	850
<b>23972</b>	360	480	90	46,50	1287000	2880000	1000	800
<b>23976</b>	380	520	106	68,50	1584000	3600000	950	750
<b>23980</b>	400	540	106	72,90	1647000	3735000	900	700
<b>23984</b>	420	560	106	80,50	1710000	4050000	850	670
<b>23988</b>	440	600	118	101,00	2016000	4680000	800	630
<b>23992</b>	460	620	118	111	2520000	4860000	750	600
<b>23996</b>	480	650	128	126,00	2295000	5400000	700	560