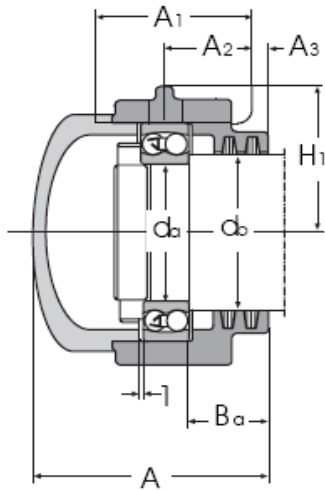


TVN 300 Series - Pillow Block Housings for Conveyor Trolleys

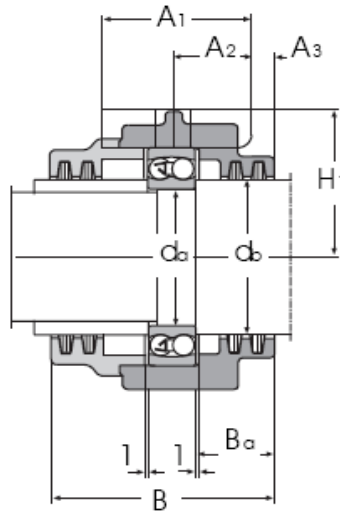
Series TVN 3.. WA (end shaft) / Series TVN 3.. WB (through shaft). Incl. felt-seal.

For self aligning ball bearing series 13 - 23 and spherical roller bearing 223 with cylindrical bore.

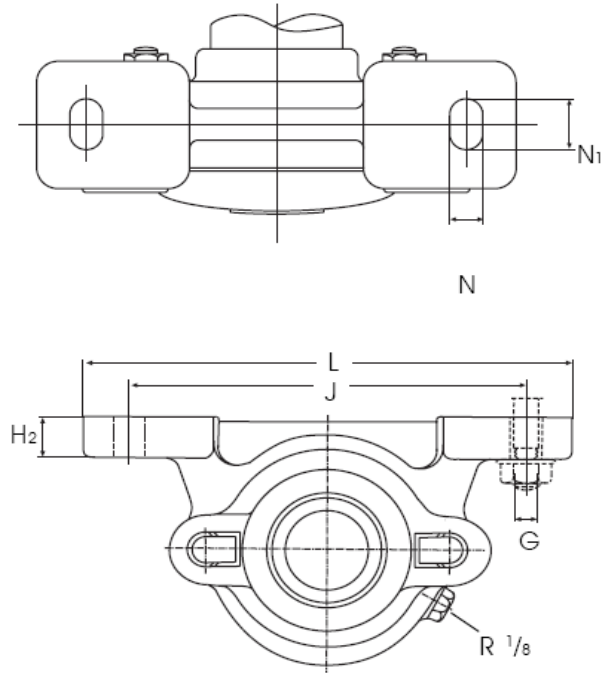
Universal housing for all bearing types, TVN 300 A & B versions possible with locating rings.



Type WA/A



Type WB/B



Item Number	Dimensions (mm)															Weight (kg)
	WA + WB	da	db	A	B	A ₁	A ₂	A ₃	N	N ₁	H ₁	H ₂	J	L	G	
TVN 304 WA	20	25	63	-	45	25	7	15	22	40	16	130	170	M 12	21,0	2,0
TVN 304 WB	20	25	-	71	45	25	7	15	22	40	16	130	170	M 12	21,0	2,1
TVN 305 WA	25	30	71	-	52	30	7	15	22	50	16	150	190	M 12	23,0	2,6
TVN 305 WB	25	30	-	76	52	30	7	15	22	50	16	150	190	M 12	23,0	2,8
TVN 306 WA	30	35	77	-	52	30	8	15	22	50	18	150	190	M 12	23,5	3,0
TVN 306 WB	30	35	-	78	52	30	8	15	22	50	18	150	190	M 12	23,5	3,1
TVN 307 WA	35	45	86	-	60	35	8	15	22	60	18	170	210	M 12	26,5	4,3
TVN 307 WB	35	45	-	92	60	35	8	15	22	60	18	170	210	M 12	26,5	4,4
TVN 308 WA	40	50	79,5	-	60	35	8	14	23	60	20	172	210	M 12	27,5	4,8
TVN 308 WB	40	50	-	94	60	35	8	14	23	60	20	172	210	M 12	27,5	4,9
TVN 309 WA	45	55	95	-	70	40	8	20	32	70	23	210	270	M 16	27,0	6,4
TVN 309 WB	45	55	-	100	70	40	8	20	32	70	23	210	270	M 16	27,0	6,5
TVN 310 WA	50	60	102	-	70	40	10	20	32	70	23	210	270	M 16	30,0	6,9
TVN 310 WB	50	60	-	105	70	40	10	20	32	70	23	210	270	M 16	30,0	7,1
TVN 311 WA	55	65	110	-	80	45	10	20	32	80	25	230	290	M 16	30,5	9,3
TVN 311 WB	55	65	-	115	80	45	10	20	32	80	25	230	290	M 16	30,5	9,5
TVN 312 WA	60	70	115	-	80	45	10	20	32	80	25	230	290	M 16	31,0	10,5
TVN 312 WB	60	70	-	117	80	45	10	20	32	80	25	230	290	M 16	31,0	11,0
TVN 313 WA	65	75	122	-	90	50	10	25	32	95	28	260	330	M 20	35,0	13,5
TVN 313 WB	65	75	-	127	90	50	10	25	32	95	28	260	330	M 20	35,0	14,5
TVN 314 WA	70	80	126	-	90	50	10	25	32	95	28	260	330	M 20	35,5	14,0
TVN 314 WB	70	80	-	129	90	50	10	25	32	95	28	260	330	M 20	35,5	14,5
TVN 315 WA	75	85	136	-	100	55	10	25	32	100	30	290	360	M 20	38,5	18,5
TVN 315 WB	75	85	-	139	100	55	10	25	32	100	30	290	360	M 20	38,5	19,5