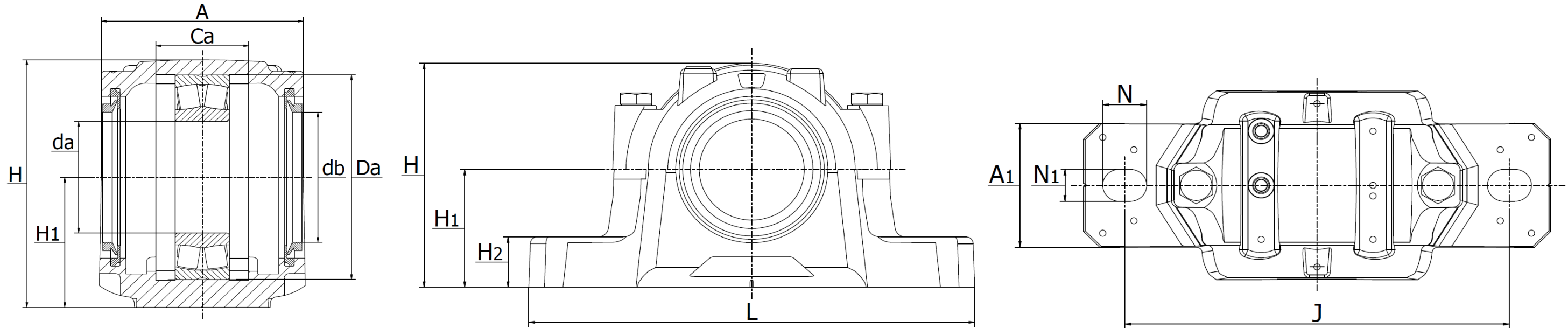
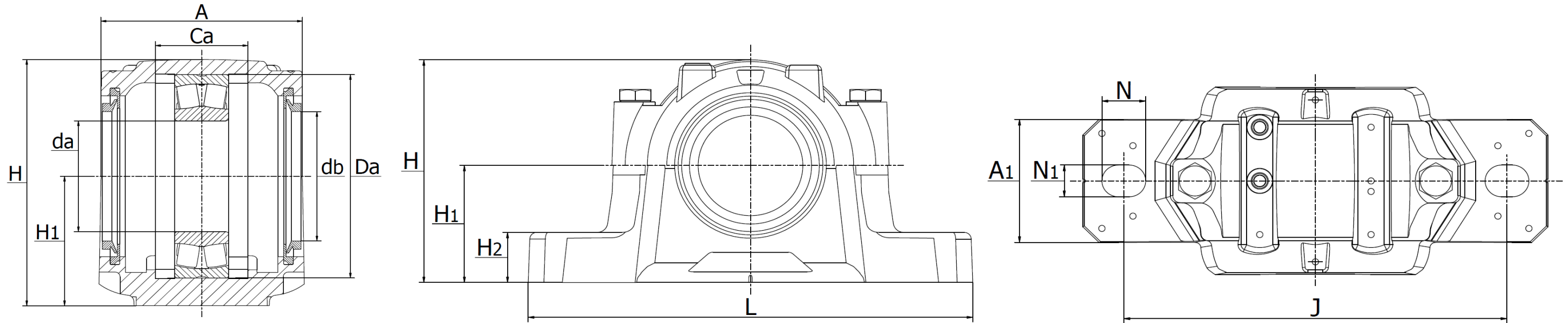


SNHF 200 FS Series - Plummer block housings (SNH/SNL/SNV)

For spherical ball and roller bearings on a cylindrical shaft, with FS-felt seals, housing based on the SNHF 500 series, cast iron GG 20.



Part No.	Shaft size (mm)		Dimensions (mm)											Mounting Bolt	Bearings	Fixing Rings	Housing No.	Felt Seals	Covers	Weight (kg)	
	da	db	A	A1	A2	Ca	Da	H	H1	H2	J	L	N								N1
SNHF 205 TC	25	30	67	46	90	25	52	74	40	19	130	165	20	15	M12	1205	2 x FR 52-5	SNHF 505	FS	ASNH505	1,4
																2205	2 x FR 52-3.5				
																22205	2 x FR 52-3.5				
SNHF 206 TC	30	35	77	52	89	32	62	89	50	22	150	185	20	15	M12	1206	2 x FR 62-8	SNHF 506-605	FS	ASNH506-605	1,9
																2206	2 x FR 62-6				
																22206	2 x FR 62-6				
SNHF 207 TC	35	45	82	52	96	34	72	93	50	22	150	185	20	15	M12	1207	2 x FR 72-8.5	SNHF 507-606	FS	ASNH507-606	2,1
																2207	2 x FR 72-3.5				
																22207	2 x FR 72-5.5				
SNHF 208 TC	40	50	85	60	99	39	80	107	60	25	170	205	20	15	M12	1208	2 x FR 80-10.5	SNHF 508-607	FS	ASNH508-607	2,75
																2208	2 x FR 80-8				
																22208	2 x FR 80-8				
SNHF 209 TC	45	55	85	60	97	30	85	109	60	25	170	205	20	15	M12	1209	2 x FR 85-5.5	SNHF 509	FS	ASNH509	2,75
																2209	2 x FR 85-3.5				
																22209	2 x FR 85-3.5				
SNHF 210 TC	50	60	90	60	102	41	90	113	60	25	170	205	20	15	M12	1210	2 x FR 90-10.5	SNHF 510-608	FS	ASNH510-608	3
																2210	2 x FR 90-9				
																22210	2 x FR 90-9				
SNHF 211 TC	55	65	95	70	107	44	100	127	70	28	210	255	24	18	M16	1211	2 x FR 100-11.5	SNHF 511-609	FS	ASNH511-609	4,2
																2211	2 x FR 100-9.5				
																22211	2 x FR 100-9.5				



Part No.	Shaft size (mm)		Dimensions (mm)											Mounting Bolt	Bearings	Fixing Rings	Housing No.	Felt Seals	Covers	Weight (kg)	
	da	db	A	A1	A2	Ca	Da	H	H1	H2	J	L	N								N1
SNHF 212 FS	60	70	105	70	117	48	110	133	70	30	210	255	24	18	M16	1212	2 x FR 110-13	SNHF 512-610	FS	ASNH512-610	4,75
																2212	2 x FR 110-10				
																22212	2 x FR 110-10				
SNHF 213 FS	65	75	110	80	122	51	120	148	80	30	230	275	24	18	M16	1213	2 x FR 120-14	SNHF 513-611	FS	ASNH513-611	6,1
																2213	2 x FR 120-10				
																22213	2 x FR 120-10				
SNHF 215 FS	75	85	115	80	133	56	130	154	80	30	230	280	24	18	M16	1215	2 x FR 130-15.5	SNHF 515-612	FS	ASNH515-612	6,6
																2215	2 x FR 130-12.5				
																22215	2 x FR 130-12.5				
SNHF 216 FS	80	90	120	90	138	58	140	175	95	32	260	315	28	22	M20	1216	2 x FR 140-16	SNHF 516-613	FS	ASNH516-613	9
																2216	2 x FR 140-12.5				
																22216	2 x FR 140-12.5				
SNHF 217 FS	85	95	125	90	143	61	150	183	95	32	260	320	28	22	M20	1217	2 x FR 150-16.5	SNHF 517	FS	ASNH517	9,5
																2217	2 x FR 150-12.5				
																22217	2 x FR 150-12.5				
SNHF 218 FS	90	100	140	100	158	65	160	193	100	35	290	345	28	22	M20	1218	2 x FR 160-17.5	SNHF 518-615	FS	ASNH518-615	11,8
																2218	2 x FR 160-12.5				
																22218	2 x FR 160-12.5				
																23218	2 x FR 160-6.25				