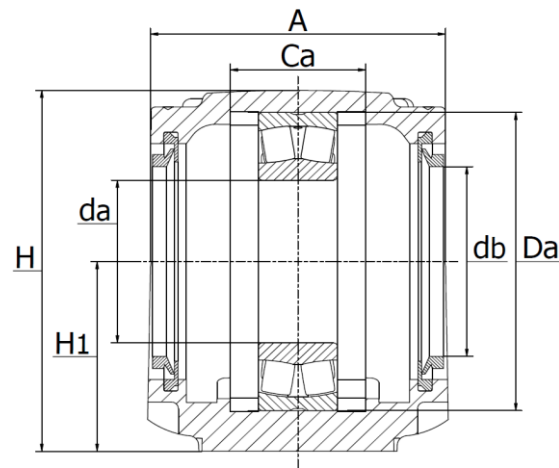
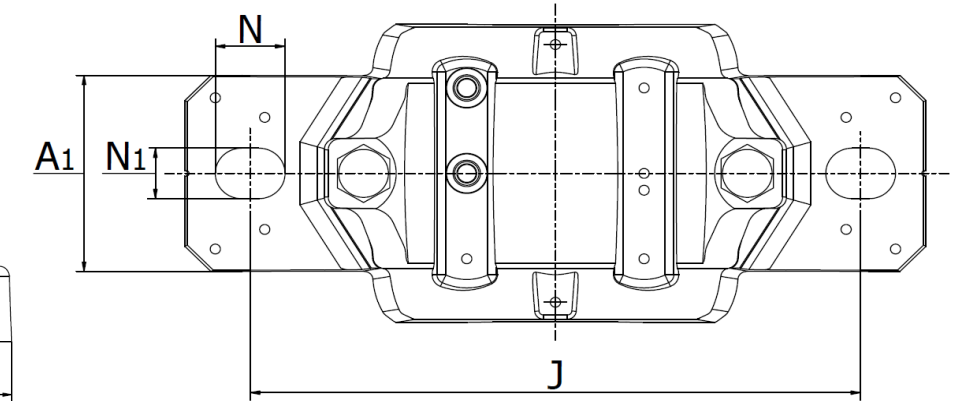
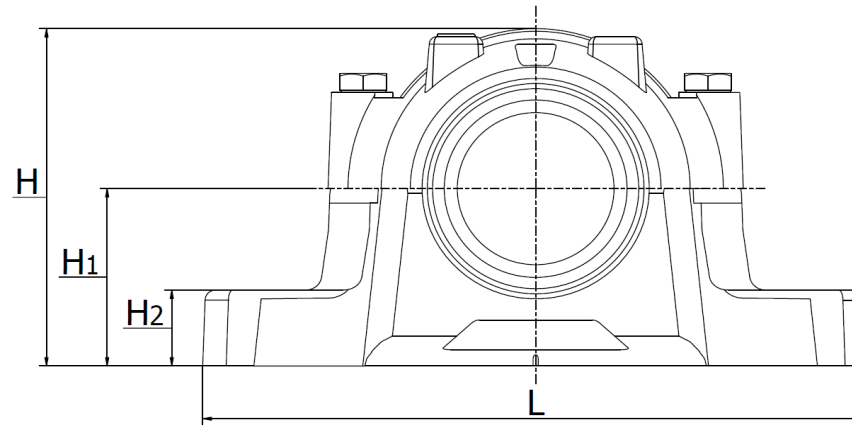
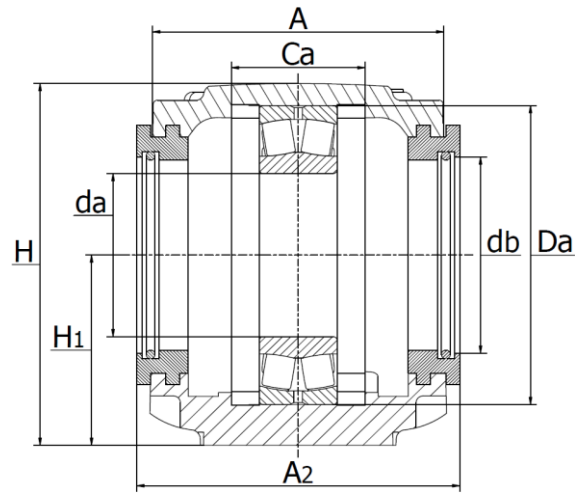
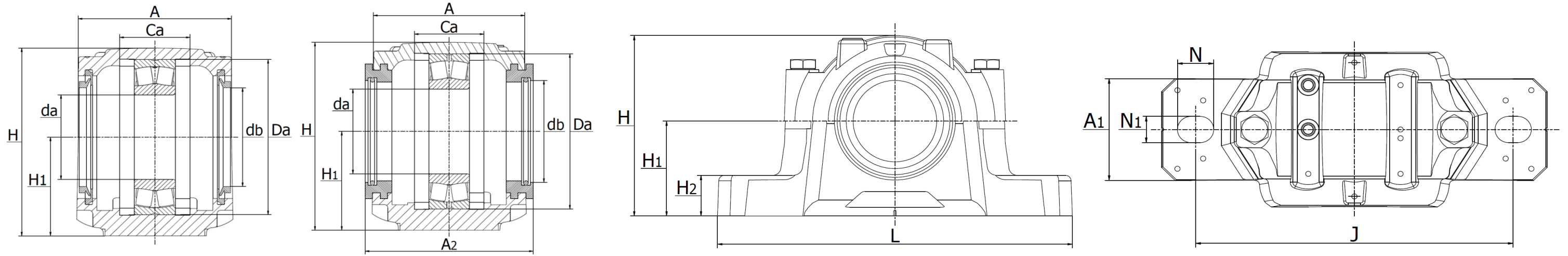
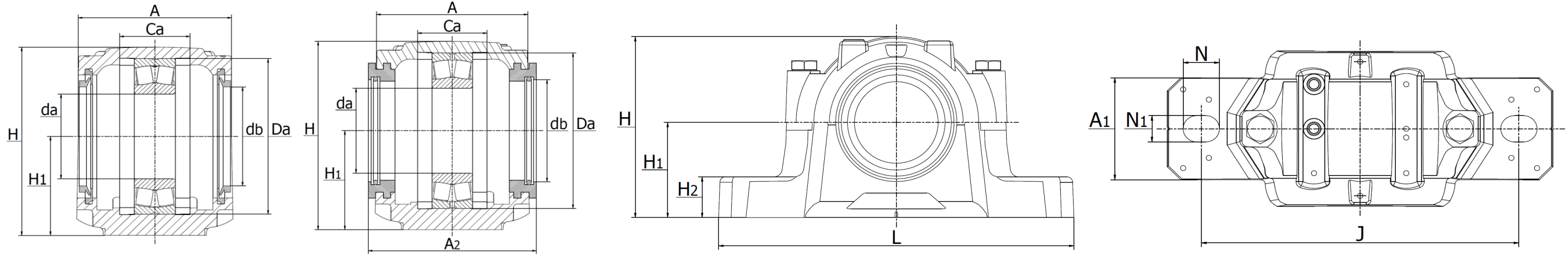


Felt seal, Rubber seal and V-ring seal

Labyrinth seal


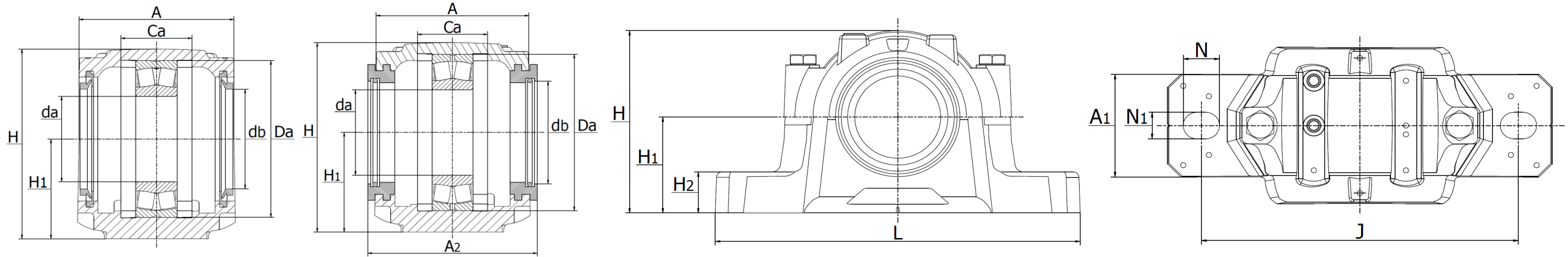
Part No.	Shaft size (mm)		Dimensions (mm)										Mounting Bolt	Bearings	Fixing Rings	Housing No.	Double Lip Seals	V-ring Seals	Felt Seals	Labyrinth Seals	End cover	Weight (kg)		
	da	db	A	A1	A2	Ca	Da	H	H1	H2	J	L											N	N1
SNHF 205	25	30	67	46	90	25	52	74	40	19	130	165	20	15	M12	1205	2 x FR 52-5	SNHF 205	TSN205G	TSN205A	TSN205C	TS05-205	ASNH506-605	1,4
																2205	2 x FR 52-3.5							
																22205	2 x FR 52-3.5							
SNHF 206	30	35	77	52	89	32	62	89	50	22	150	185	20	15	M12	1206	2 x FR 62-8	SNHF 206	TSN206G	TSN206A	TSN206C	TS06-206	ASNH507-606	1,9
																2206	2 x FR 62-6							
																22206	2 x FR 62-6							
SNHF 207	35	45	82	52	96	34	72	93	50	22	150	185	20	15	M12	1207	2 x FR 72-8.5	SNHF 207	TSN207G	TSN207A	TSN207C	TS07-207	ASNH509	2,1
																2207	2 x FR 72-3.5							
																22207	2 x FR 72-5.5							
SNHF 208	40	50	85	60	99	39	80	107	60	25	170	205	20	15	M12	1208	2 x FR 80-10.5	SNHF 208	TSN208G	TSN208A	TSN208C	TS08-208	ASNH510-607	2,75
																2208	2 x FR 80-8							
																22208	2 x FR 80-8							
SNHF 209	45	55	85	60	97	30	85	109	60	25	170	205	20	15	M12	1209	2 x FR 85-5.5	SNHF 209	TSN209G	TSN209A	TSN209C	TS09-209	ASNH511-609	2,75
																2209	2 x FR 85-3.5							
																22209	2 x FR 85-3.5							
SNHF 210	50	60	90	60	102	41	90	113	60	25	170	205	20	15	M12	1210	2 x FR 90-10.5	SNHF 210	TSN210G	TSN210A	TSN210C	TS10-210	ASNH512-610	3
																2210	2 x FR 90-9							
																22210	2 x FR 90-9							

Felt seal, Rubber seal and V-ring seal
Labyrinth seal


Part No.	Shaft size (mm)		Dimensions (mm)									Mounting Bolt	Bearings	Fixing Rings	Housing No.	Double Lip Seals	V-ring Seals	Felt Seals	Labyrinth Seals	End cover	Weight (kg)			
	da	db	A	A1	A2	Ca	Da	H	H1	H2	J											L	N	N1
SNHF 211	55	65	95	70	107	44	100	127	70	28	210	255	24	18	M16	1211	2 x FR 100-11.5	SNHF 211	TSN211G	TSN211A	TSN211C	TS11-211	ASNH513-611	4,2
																2211	2 x FR 100-9.5							
																22211	2 x FR 100-9.5							
SNHF 212	60	70	105	70	117	48	110	133	70	30	210	255	24	18	M16	1212	2 x FR 110-13	SNHF 212	TSN212G	TSN212A	TSN212C	TS12-212	ASNH515-612	4,75
																2212	2 x FR 110-10							
																22212	2 x FR 110-10							
SNHF 213	65	75	110	80	122	51	120	148	80	30	230	275	24	18	M16	1213	2 x FR 120-14	SNHF 213	TSN213G	TSN213A	TSN213C	TS13-213	ASNH516-613	6,1
																2213	2 x FR 120-10							
																22213	2 x FR 120-10							
SNHF 215	75	85	115	80	133	56	130	154	80	30	230	280	24	18	M16	1215	2 x FR 130-15.5	SNHF 215	TSN215G	TSN215A	TSN215C	TS15-215	ASNH518-615	6,6
																2215	2 x FR 130-12.5							
																22215	2 x FR 130-12.5							
SNHF 216	80	90	120	90	138	58	140	175	95	32	260	315	28	22	M20	1216	2 x FR 140-16	SNHF 216	TSN216G	TSN216A	TSN216C	TS16-216	ASNH216	9
																2216	2 x FR 140-12.5							
																22216	2 x FR 140-12.5							
SNHF 217	85	95	125	90	143	61	150	183	95	32	260	320	28	22	M20	1217	2 x FR 150-16.5	SNHF 217	TSN217G	TSN217A	TSN217C	TS17-217	ASNH217	9,5
																2217	2 x FR 150-12.5							
																22217	2 x FR 150-12.5							

Felt seal, Rubber seal and V-ring seal
Labyrinth seal


Part No.	Shaft size (mm)		Dimensions (mm)										Mounting Bolt	Bearings	Fixing Rings	Housing No.	Double Lip Seals	V-ring Seals	Felt Seals	Labyrinth Seals	End cover	Weight (kg)		
	da	db	A	A1	A2	Ca	Da	H	H1	H2	J	L											N	N1
SNHF 218	90	100	140	100	158	65	160	193	100	35	290	345	28	22	M20	1218	2 x FR 160-17.5	SNHF 218	TSN218G	TSN218A	TSN218C	TS18-218	ASNH218	11,8
																2218	2 x FR 160-12.5							
																22218	2 x FR 160-12.5							
																23218	2 x FR 160-6.25							
SNHF 220	100	115	160	110	178	70	180	215	112	40	320	380	32	26	M24	1220	2 x FR 180-18	SNHF 520-617	TSN220G	TSN220A	TSN220C	TS20-220	ASNH520-617	17,6
																2220	2 x FR 180-12							
																22220	2 x FR 180-12							
																23220	2 x FR 180-4.85							
SNHF 222	110	125	175	120	191	80	200	239	125	45	350	410	32	26	M24	1222	2 x FR 200-21	SNHF 522-619	TSN222G	TSN222A	TSN222C	TS22-222	ASNH522-619	22
																2222	2 x FR 200-13.5							
																22222	2 x FR 200-13.5							
																23222	2 x FR 200-5.1							
SNHF 224	120	135	185	120	199	86	215	271	140	45	350	410	32	26	M24	1224	2 x FR 215-22	SNHF 524-620	TSN224G	TSN224A	TSN224C	TS24-224	ASNH524-620	26,2
																22224	2 x FR 215-14							
																23224	2 x FR 215-5							
SNHF 226	130	145	190	130	208	90	230	290	150	50	380	445	35	28	M24	22226	2 x FR 230-13	SNHF 526	TSN226G	TSN226A	TSN226C	TS26-226	ASNH526	33
																23226	2 x FR 230-5							
																1226	2 x 230-22							

Felt seal, Rubber seal and V-ring seal
Labyrinth seal


Part No.	Shaft size (mm)		Dimensions (mm)								Mounting Bolt	Bearings	Fixing Rings	Housing No.	Double Lip Seals	V-ring Seals	Felt Seals	Labyrinth Seals	End cover	Weight (kg)				
	da	db	A	A1	A2	Ca	Da	H	H1	H2											J	L	N	N1
SNHF 228	140	155	205	150	223	98	250	302	150	50	420	500	42	35	M30	22228	2 x FR 250-15	SNHF 528	TSN228G	TSN228A	TSN228C	TS28-228	ASNH528	40
																23228	2 x FR 250-5							
SNHF 230	150	165	220	160	241	106	270	323	160	60	450	530	42	35	M30	22230	2 x FR 270-16.5	SNHF 530	TSN230G	TSN230A	TSN230C	TS30-230	ASNH530	49
																23230	2 x FR 270-5							
SNHF 232	160	175	235	160	254	114	290	344	170	60	470	550	42	35	M30	22232	2 x FR 290-17	SNHF 532	TSN232G	TSN232A	TSN232C	TS32-232	ASNH532	55
																23232	2 x FR 290-5							