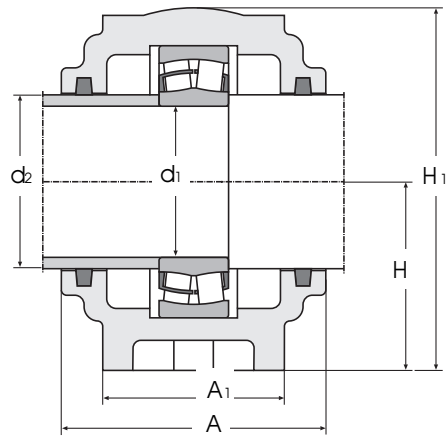
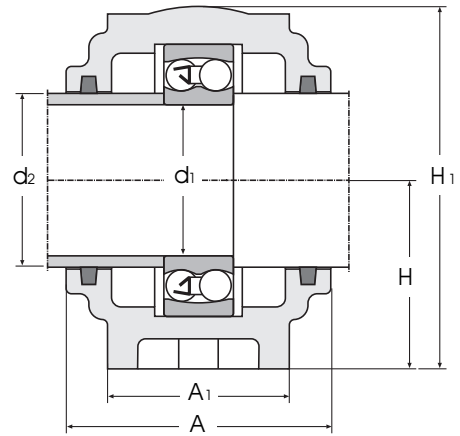
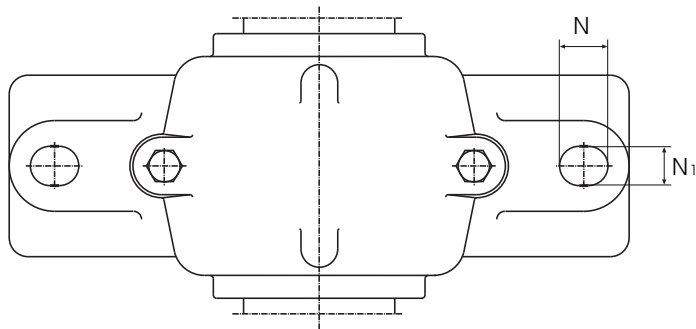
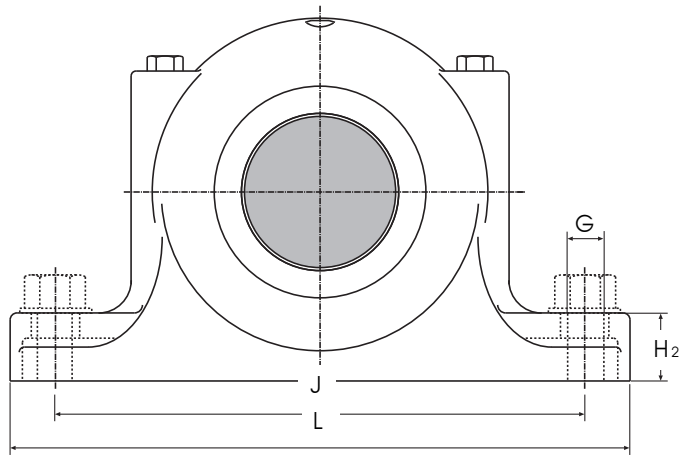


Plummer Blocks (split)

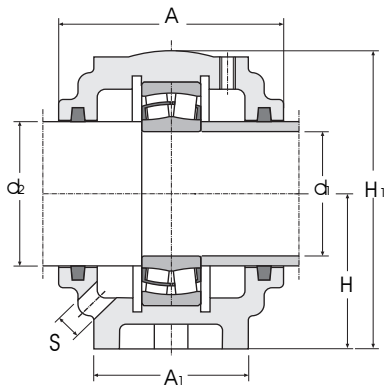
Series SN 200 and SN 300



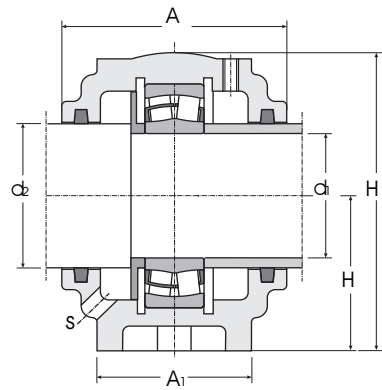
Housing Ref No	Weight kg	d ₁	d ₂	H	H ₁	A	A ₂	L	A ₁ mm	H ₂	J	N ₁	N	G	s	A ₃
SN 205	1,1	25	30	40	75	67	-	165	46	19	130	15	20	M 12	10	-
SN 305	1,6	25	30	50	90	80	-	185	52	22	150	15	20	M 12	10	-
SN 206	1,6	30	35	50	90	77	-	185	52	22	150	15	20	M 12	10	-
SN 306	1,8	30	35	50	95	82	-	185	52	22	150	15	20	M 12	10	-
SN 207	1,9	35	45	50	95	82	-	185	52	22	150	15	20	M 12	10	-
SN 307	2,6	35	45	60	110	90	-	205	60	25	170	15	20	M 12	10	-
SN 208	2,6	40	50	60	110	85	-	205	60	25	170	15	20	M 12	10	-
SN 308	2,9	40	50	60	115	95	-	205	60	25	170	15	20	M 12	10	-

Plummer Blocks (split)

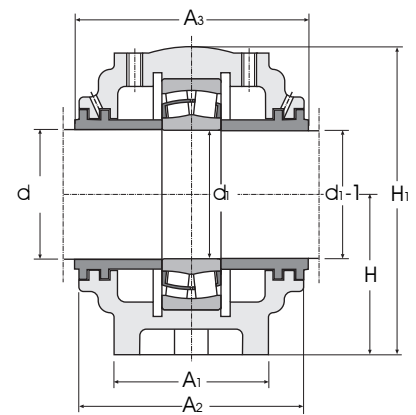
Series SN 200 and SN 300



SN...VS



SN...R

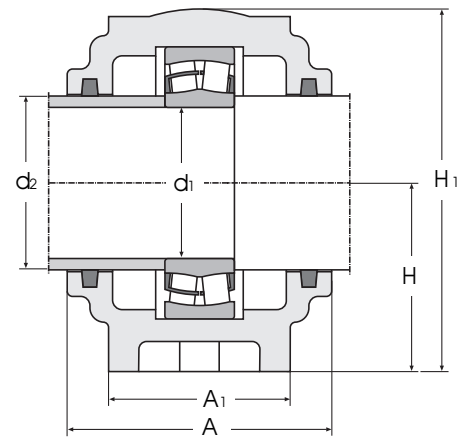
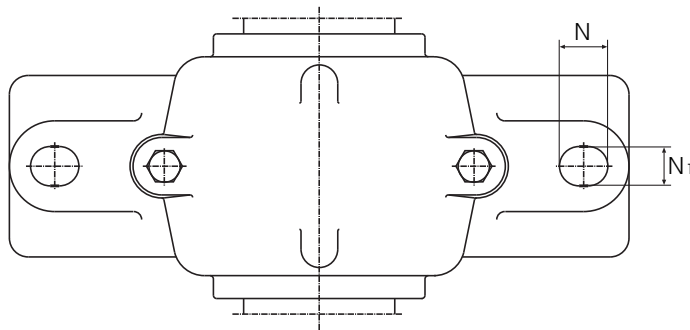
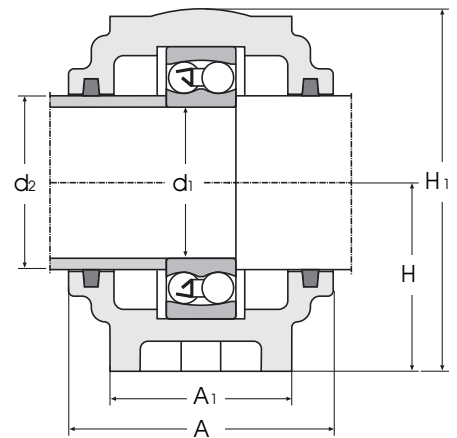
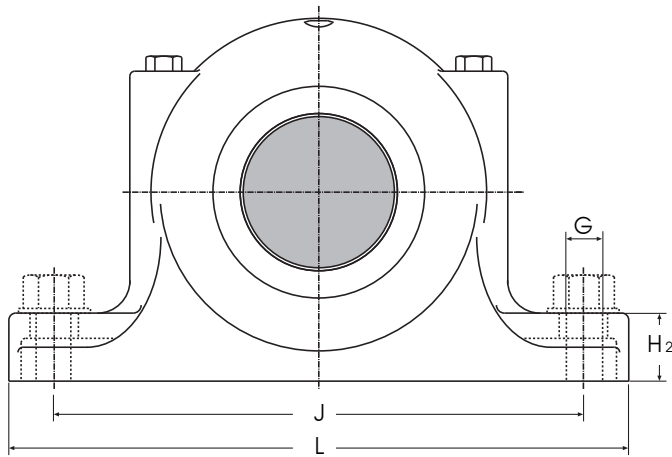


SN...DSS

d ₁	Matching bearing	Fixing ring Qty and Ref No	Order ref			
			Housing with felt seal	Housing with lubricating and grease outlet holes	Housing with grease quantity regulator	Housing with double labyrinth seal
25	1205	2 x FR 5/52	SN 205	SN 205 VS	SN 205 R	
	2205	1 x FR 7/52				
	22205	1 x FR 7/52				
	1305	2 x FR 8,5/62	SN 305	SN 305 VS	SN 305 R	
	2305	1 x FR 10/62				
30	1206	2 x FR 7/62	SN 206	SN 206 VS	SN 206 R	
	2206	1 x FR 10/62				
	22206	1 x FR 10/62				
	1306	2 x FR 9/72	SN 306	SN 306 VS	SN 306 R	
	2306	1 x FR 10/72				
35	1207	2 x FR 8/72	SN 207	SN 207 VS	SN 207 R	
	2207	1 x FR 10/72				
	22207	1 x FR 10/72				
	1307	2 x FR 10/80	SN 307	SN 307 VS	SN 307 R	
	2307	1 x FR 10/80				
40	1208	2 x FR 7,5/80	SN 208	SN 208 VS	SN 208 R	
	2208	1 x FR 10/80				
	22208	1 x FR 10/80				
	1308	2 x FR 10/90	SN 308	SN 308 VS	SN 308 R	
	2308	1 x FR 10/90				
	21308	2 x FR 10/90				
22308	1 x FR 10/90					

Plummer Blocks (split)

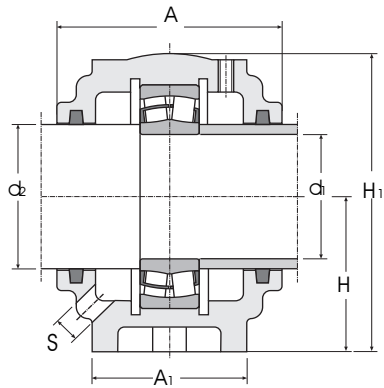
Series SN 200 and SN 300



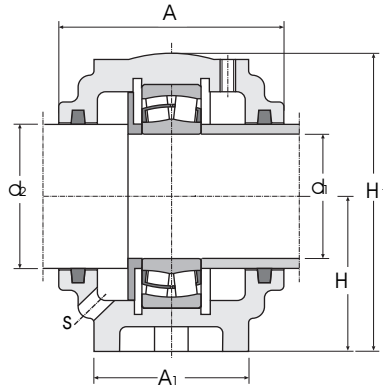
Housing Ref No	Weight kg	d ₁	d ₂	H	H ₁	A	A ₂	L	A ₁ mm	H ₂	J	N ₁	N	G	s	A ₃
SN 209	2,8	45	55	60	110	85	-	205	60	25	170	15	20	M 12	10,0	-
SN 309	4,1	45	55	70	130	105	-	255	70	28	210	18	23	M 16	11,5	-
SN 210	3,0	50	60	60	115	90	-	205	60	25	170	15	20	M 12	11,5	-
SN 310	4,7	50	60	70	135	115	-	255	70	30	210	18	23	M 16	11,5	-
SN 211	4,0	55	65	70	130	95	116	255	70	28	210	18	23	M 16	11,5	121
SN 311	5,8	55	65	80	150	120	-	275	80	30	230	18	23	M 16	11,5	-

Plummer Blocks (split)

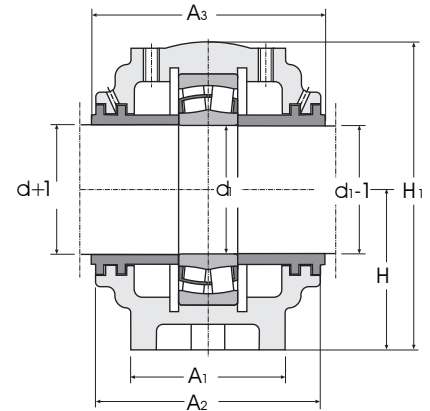
Series SN 200 and SN 300



SN...VS



SN...R

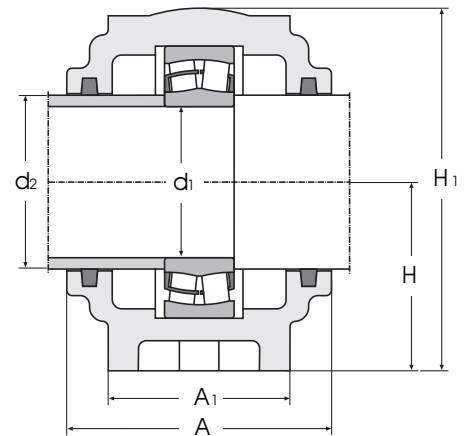
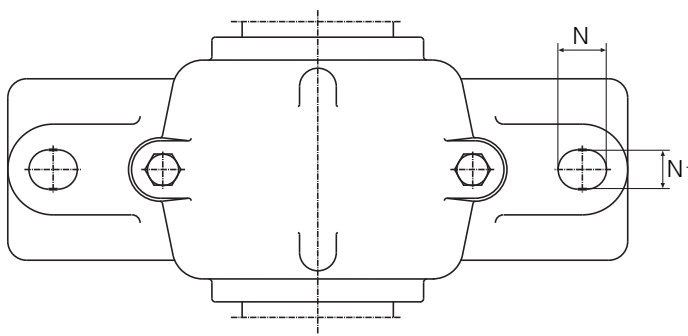
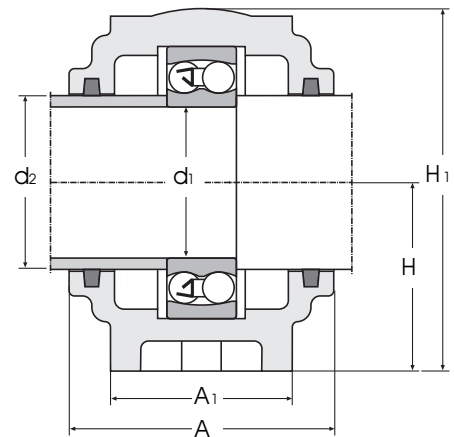
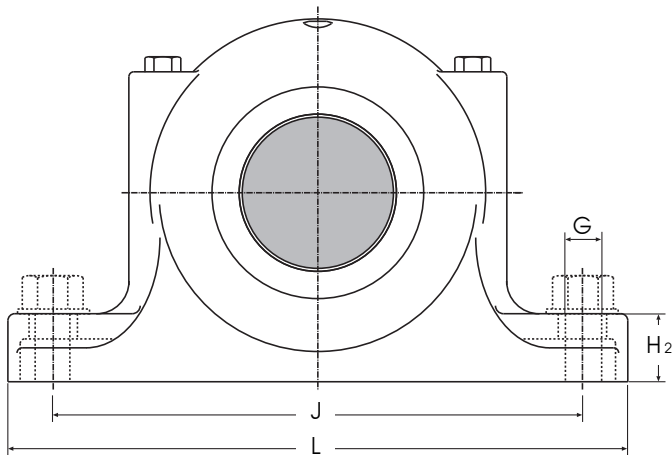


SN...DSS

d ₁	Matching bearing	Fixing ring Qty and Ref No	Order ref			
			Housing with felt seal	Housing with lubricating and grease outlet holes	Housing with grease quantity regulator	Housing with double labyrinth seal
45	1209	2 x FR 6/85	SN 209	SN 209 VS	SN 209 R	
	2209	1 x FR 8/85				
	22209	1 x FR 8/85				
	1309	2 x FR 10,5/100	SN 309	SN 309 VS	SN 309 R	
	2309	1 x FR 10/100				
	21309	2 x FR 10,5/100				
50	22309	1 x FR 10/100				
	1210	2 x FR 6,5/90	SN 210	SN 210 VS	SN 210 R	
	2210	1 x FR 10/90				
	22210	1 X FR 10/90				
	1310	2 x FR 11,5/110	SN 310	SN 310 VS	SN 310 R	
	2310	1 x FR 10/110				
55	21310	2 x FR 11,5/110				
	22310	1 x FR 10/110				
	1211	2 x FR 6/100	SN 211	SN 211 VS	SN 211 R	SN 211 DSS
	2211	1 x FR 8/100				
	22211	1 x FR 8/100				
	1311	2 x FR 12/120	SN 311	SN 311 VS	SN 311 R	
	2311	1 x FR 10/120				
	21311	2 x FR 12/120				
	22311	1 x FR 10/120				

Plummer Blocks (split)

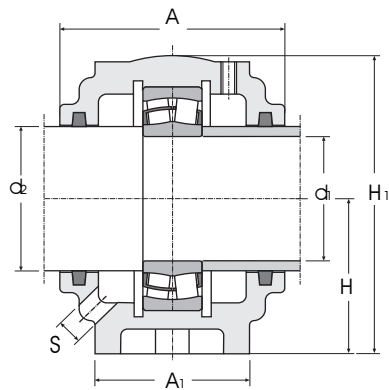
Series SN 200 and SN 300



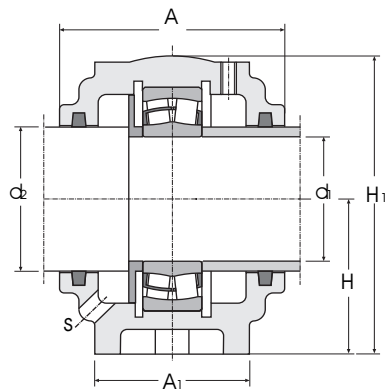
Housing Ref No	Weight kg	d ₁	d ₂	H	H ₁	A	A ₂	L	A ₁ mm	H ₂	J	N ₁	N	G	s	A ₃
SN 212	4,6	60	70	70	135	105	124	255	70	30	210	18	23	M 16	11,5	130
SN 312	6,5	60	70	80	155	125	-	280	80	30	230	18	23	M 16	11,5	-
SN 213	5,9	65	75	80	150	110	129	275	80	30	230	18	23	M 16	11,5	135
SN 313	8,7	65	75	95	175	130	-	315	90	32	260	22	27	M 20	15,0	-
SN 214	6,5	70	80	80	150	115	135	275	80	30	230	18	23	M 16	11,5	141
SN 314	10,0	70	80	95	185	130	-	320	90	32	260	22	27	M 20	15,0	-

Plummer Blocks (split)

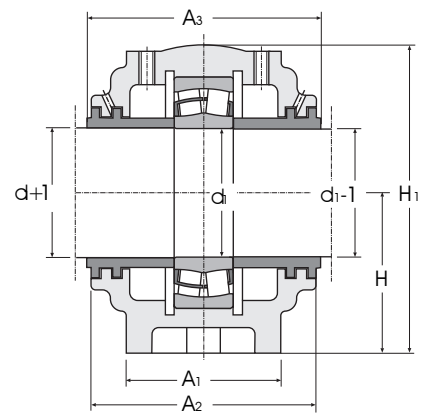
Series SN 200 and SN 300



SN...VS



SN...R

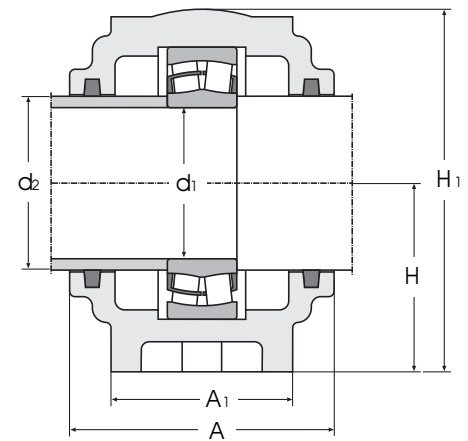
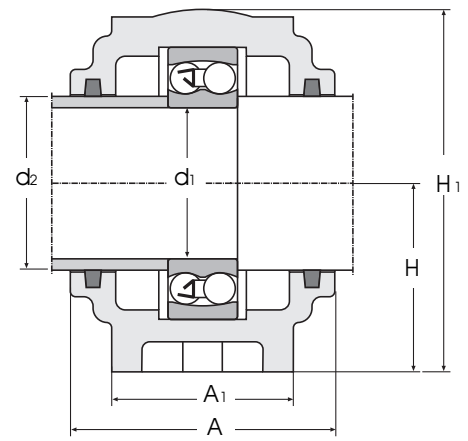
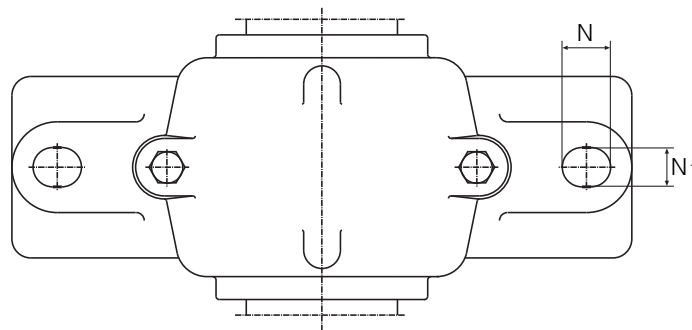
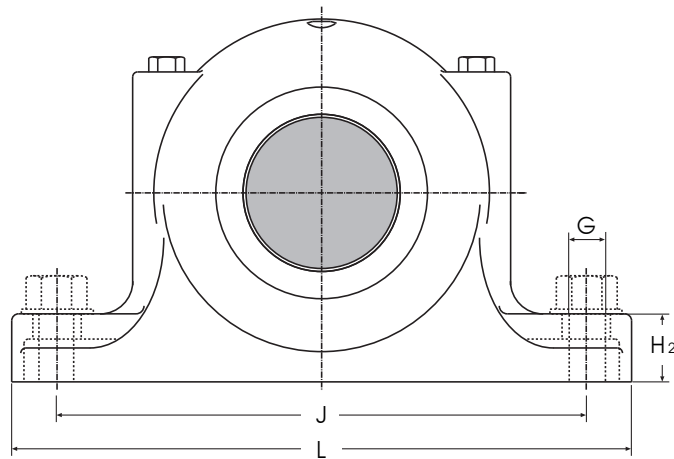


SN...DSS

d ₁	Matching bearing	Fixing ring Qty and Ref No	Order ref			
			Housing with felt seal	Housing with lubricating and grease outlet holes	Housing with grease quantity regulator	Housing with double labyrinth seal
60	1212	2 x FR 8/110	SN 212	SN 212 VS	SN 212 R	SN 212 DSS
	2212	1 x FR 10/110				
	22212	1 x FR 10/110				
	1312	2 x FR 12,5/130	SN 312	SN 312 VS	SN 312 R	
	2312	1 x FR 10/130				
	21312	2 x FR 12,5/130				
65	1213	2 x FR 10/120	SN 213	SN 213 VS	SN 213 R	SN 213 DSS
	2213	1 x FR 10/120				
	22213	1 x FR 12/120				
	1313	2 x FR 12,5/140	SN 313	SN 313 VS	SN 313 R	
	2313	1 x FR 10/140				
	21313	2 x FR 12,5/140				
70	1214	2 x FR 10/125	SN 214	SN 214 VS	SN 214 R	SN 214 DSS
	2214	1 x FR 13/125				
	22214	1 x FR 13/125				
	1314	2 x FR 13/150	SN 314	SN 314 VS	SN 314 R	
	2314	1 x FR 10/150				
	21314	2 x FR 13/150				
22314	1 x FR 10/150					

Plummer Blocks (split)

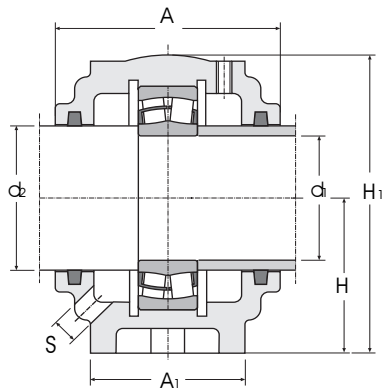
Series SN 200 and SN 300



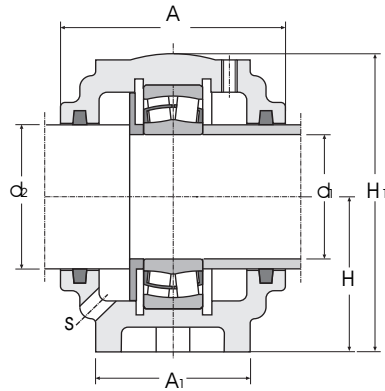
Housing Ref No	Weight kg	d ₁	d ₂	H	H ₁	A	A ₂	L	A ₁ mm	H ₂	J	N ₁	N	G	s	A ₃
SN 215	6,7	75	85	80	155	115	135	280	80	30	230	18	23	M 16	11,5	141
SN 315	11,3	75	85	100	195	140	-	345	100	35	290	22	27	M 20	15	-
SN 216	8,5	80	90	95	175	120	138	315	90	32	260	22	27	M 20	15	144
SN 316	12,6	80	90	112	210	145	-	345	100	35	290	22	27	M 20	15	-
SN 217	9,3	85	95	95	185	125	143	320	90	32	260	22	27	M 20	15	149
SN 317	15,0	85	95	112	215	155	-	380	110	40	320	26	32	M 24	15	-

Plummer Blocks (split)

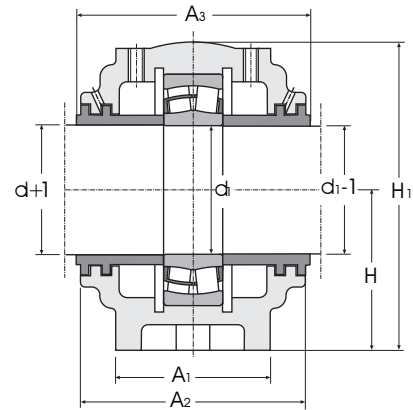
Series SN 200 and SN 300



SN...VS



SN...R

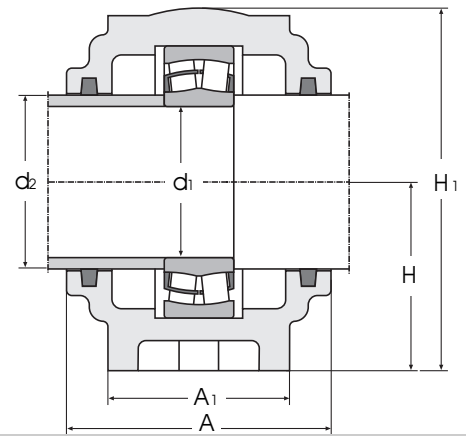
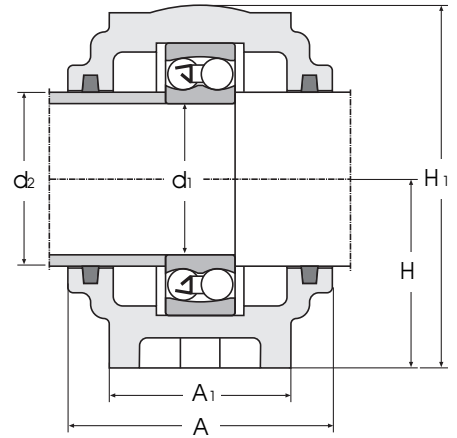
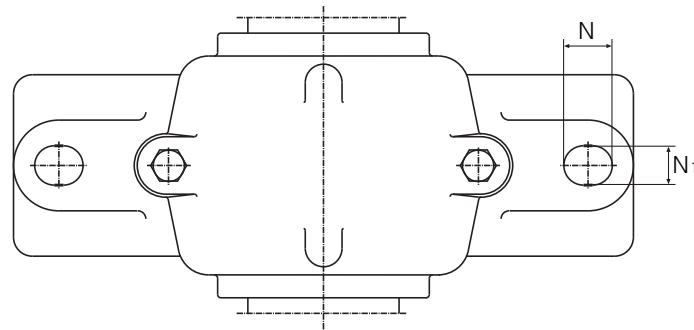
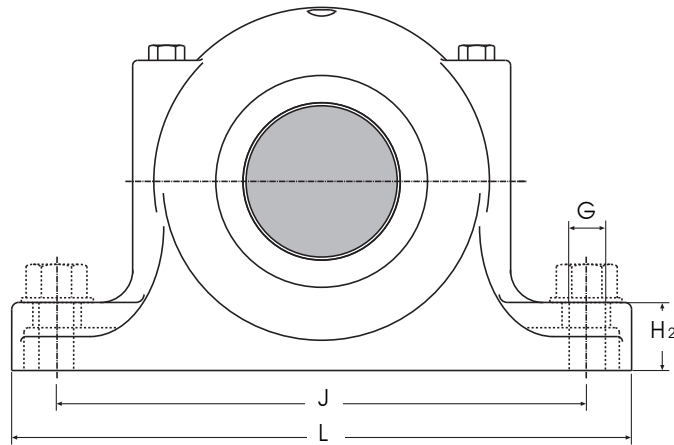


SN...DSS

d ₁	Matching bearing	Fixing ring Qty and Ref No	Order ref			
			Housing with felt seal	Housing with lubricating and grease outlet holes	Housing with grease quantity regulator	Housing with double labyrinth seal
75	1215	2 x FR 8/130	SN 215	SN 215 VS	SN 215 R	SN 215 DSS
	2215	1 x FR 10/130				
	22215	1 x FR 10/130				
	1315	2 x FR 14/160	SN 315	SN 315 VS	SN 315 R	
	2315	1 x FR 10/160				
	21315	2 x FR 14/160				
	22315	1 x FR 10/160				
80	1216	2 x FR 8,5/140	SN 216	SN 216 VS	SN 216 R	SN 216 DSS
	2216	1 x FR 10/140				
	22216	1 x FR 10/140				
	1316	2 x FR 14,5/170	SN 316	SN 316 VS	SN 316 R	
	2316	1 x FR 10/170				
	21316	2 x FR 14,5/170				
	22316	1 x FR 10/170				
85	1217	2 x FR 9/150	SN 217	SN 217 VS	SN 217 R	SN 217 DSS
	2217	1 x FR 10/150				
	22217	1 x FR 10/150				
	1317	2 x FR 14,5/180	SN 317	SN 317 VS	SN 317 R	
	2317	1 x FR 10/180				
	21317	2 x FR 14,5/180				

Plummer Blocks (split)

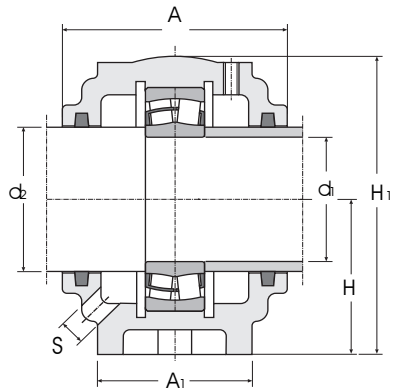
Series SN 200 and SN 300



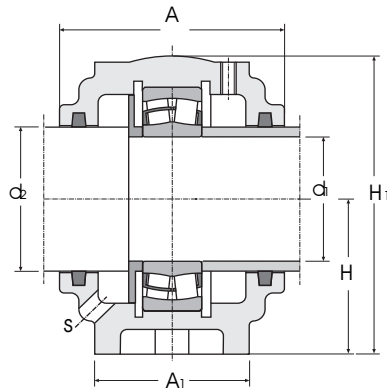
Housing Ref No	Weight kg	d ₁	d ₂	H	H ₁	A	A ₂	L	A ₁ mm	H ₂	J	N ₁	N	G	s	A ₃
SN 218	11,8	90	100	100	195	145	161	345	100	35	290	22	27	M 20	15	169
SN 318	18,6	90	105	112	230	160	-	400	110	33	320	26	32	M 24	15	-
SN 219	13,4	95	110	112	210	140	-	345	110	35	290	22	27	M 20	15	-
SN 319	21,5	95	110	125	240	170	-	410	120	45	350	26	32	M 24	18	-
SN 220	15,5	100	115	112	215	160	174	380	110	40	320	26	32	M 24	15	182
SN 320	24,6	100	115	140	270	175	-	410	120	45	350	26	32	M 24	18	-

Plummer Blocks (split)

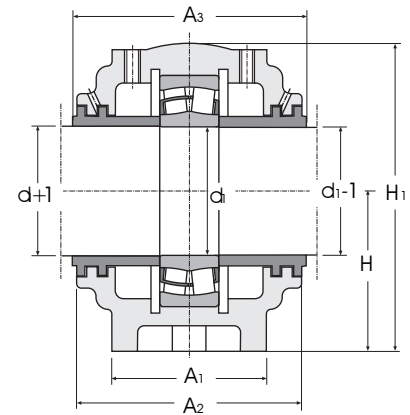
Series SN 200 and SN 300



SN...VS



SN...R

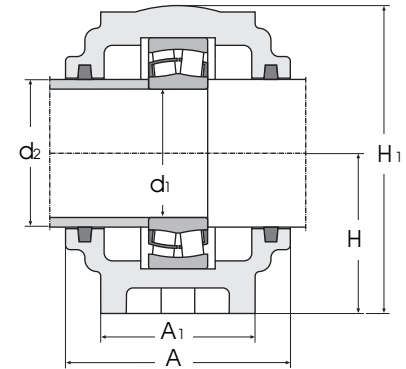
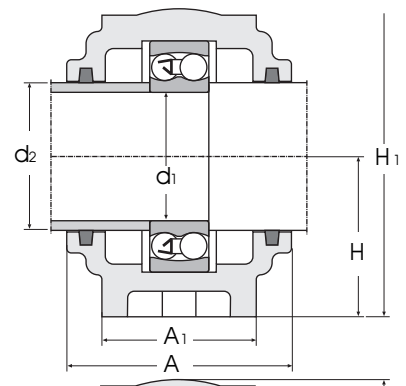
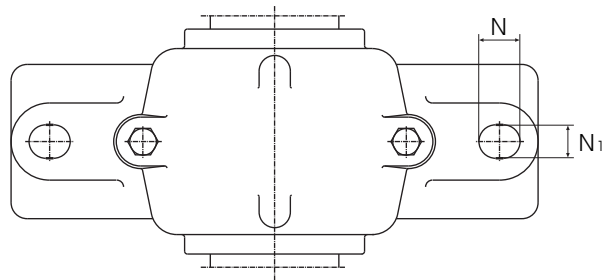
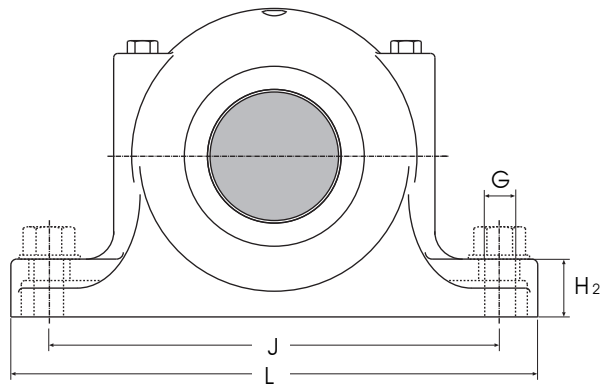


SN...DSS

d ₁	Matching bearing	Fixing ring Qty and Ref No	Order ref			
			Housing with felt seal	Housing with lubricating and grease outlet holes	Housing with grease quantity regulator	Housing with double labyrinth seal
90	1218	2 x FR 16,2/160	SN 218	SN 218 VS	SN 218 R	SN 218 DSS
	2218	2 x FR 11,2/160				
	22218	2 x FR 11,2/160				
	23218	1 x FR 10/160				
	1318	2 x FR 15,5/190	SN 318	SN 318 VS	SN 318 R	
	2318	1 x FR 10/190				
	21318	2 x FR 15,5/190				
	22318	1 x FR 10/190				
	95	1219	2 x FR 10,5/170	SN 219	SN 219 VS	SN 219 R
2219		1 x FR 10/170				
22219		1 x FR 10/170				
1319		2 x FR 16/200	SN 319	SN 319 VS	SN 319 R	
2319		1 x FR 10/200				
21319		2 x FR 16/200				
22319		1 x FR 10/200				
100	1220	2 x FR 18,1/180	SN 220	SN 220 VS	SN 220 R	SN 220 DSS
	2220	2 x FR 12,1/180				
	22220	2 x FR 12,1/180				
	23220	1 x FR 10/180				
	1320	2 x FR 18/215	SN 320	SN 320 VS	SN 320 R	
	2320	1 x FR 10/215				
	21320	2 x FR 18/215				
	22320	1 x FR 10/215				

Plummer Blocks (split)

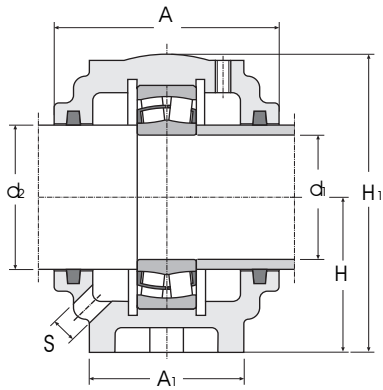
Series SN 200 and SN 300



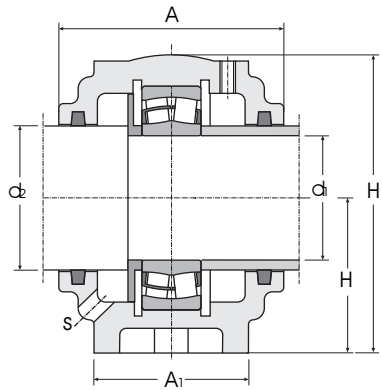
Housing Ref No	Weight kg	d ₁	d ₂	H	H ₁	A	A ₂	L	A ₁ mm	H ₂	J	N ₁	N	G	s	A ₃
SN 222	19,8	110	125	125	240	175	193	410	120	45	350	26	32	M 24	18	201
SN 322	31,4	110	125	150	295	190	-	450	130	50	390	28	35	M 24	18	-
SN 224	22,4	120	135	140	270	185	203	410	120	45	350	26	32	M 24	18	212
SN 324	47,2	120	135	160	321	200	-	530	160	60	450	35	42	M 30	18	-
SN 226	28,3	130	145	150	290	190	217	445	130	50	380	28	35	M 24	18	226
SN 326	55,0	130	150	170	345	210	-	550	160	60	470	35	42	M 30	18	-
SN 228	36,0	140	155	150	305	205	230	500	150	50	420	35	42	M 30	18	240
SN 328	69,0	140	160	180	365	235	-	620	170	65	520	35	42	M 30	18	-
SN 230	43,1	150	165	160	325	220	245	530	160	60	450	35	42	M 30	18	255
SN 330	94,5	150	170	190	385	245	-	650	180	65	560	35	42	M 30	18	-
SN 232	49,6	160	175	170	345	235	257	550	160	60	470	35	42	M 30	18	268
SN 332	109,5	160	180	200	405	255	-	680	190	70	580	42	50	M 36	18	-

Plummer Blocks (split)

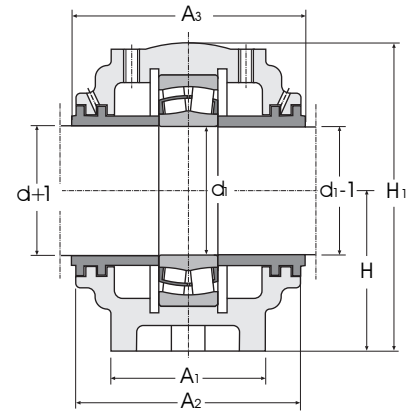
Series SN 200 and SN 300



SN...VS



SN...R



SN...DSS

d ₁	Matching bearing	Fixing ring Qty and Ref No	Order ref			
			Housing with felt seal	Housing with lubricating and grease outlet holes	Housing with grease quantity regulator	Housing with double labyrinth seal
110	1222	2 x FR 21/200	SN 222	SN 222 VS	SN 222 R	SN 222 DSS
	2222	2 x FR 13,5/200				
	22222	2 x FR 13,5/200				
	23222	1 x FR 10/200				
	20322	2 x FR 20/240	SN 322	SN 322 VS	SN 322 R	
	21322	2 x FR 20/240				
	22322	1 x FR 10/240				
	120	22224	2 x FR 14/215	SN 224	SN 224 VS	SN 224 R
23224		2 x FR 10/215				
20324		2 x FR 20,5/260	SN 324	SN 324 VS	SN 324 R	
22324		1 x FR 10/260				
130	22226	2 x FR 13/230	SN 226	SN 226 VS	SN 224 R	SN 226 DSS
	23226	1 x FR 10/230				
	20326	2 x FR 22,5/280	SN 326	SN 326 VS	SN 326 R	
	22326	1 x FR 10/280				
140	22228	2 x FR 15/250	SN 228	SN 228 VS	SN 228 R	SN 228 DSS
	23228	1 x FR 10/259				
	30328	2 x FR 25/300	SN 328	SN 328 VS	SN 328 R	
	22328	1 x FR 10/300				
150	22230	2 x FR 16,5/270	SN 230	SN 230 VS	SN 230 R	SN 230 DSS
	23230	1 x FR 10/270				
	20330	2 x FR 26,5/320	SN 330	SN 330 VS	SN 330 R	
	22330	1 x FR 10/320				
160	22232	2 x FR 17/290	SN 232	SN 232 VS	SN 232 R	SN 232 DSS
	23232	1 x FR 10/290				
	20332	2 x FR 28/340	SN 332	SN 332 VS	SN 332 R	
	22332	1 x FR 10/340				