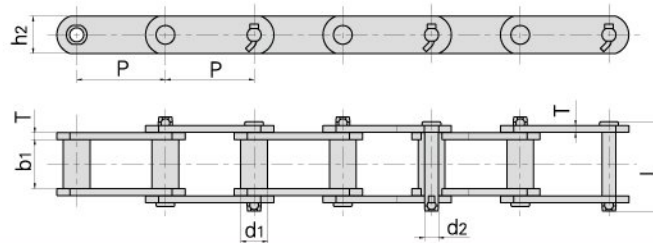
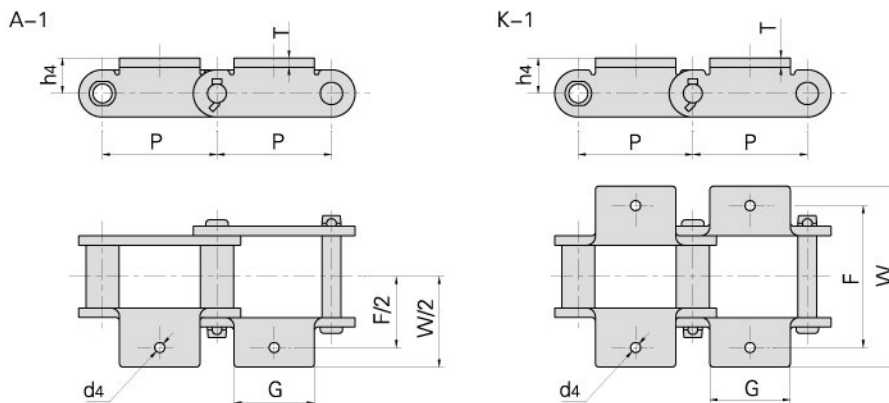


Engineering bush chains



| ANSI Chain No. | Pitch P | Bush diameter d1 max | Width between inner plates b1 min | Pin diameter d2 max | Pin length L max | Plate depth h2 max | Plate thickness T max | Ultimate tensile strength Q min | Average tensile strength Q0 | Weight per meter q | | | | | | | | | | |
|----------------|---------|----------------------|-----------------------------------|---------------------|------------------|--------------------|-----------------------|---------------------------------|-----------------------------|--------------------|----|----|----|----|----|----|----|-------|----|------|
| | | | | | | | | | | | mm | mm | mm | mm | mm | mm | mm | kN/LB | kN | kg/m |
| | | | | | | | | | | | | | | | | | | | | |
| S102B | 101.60 | 25.40 | 54.10 | 15.88 | 111.3 | 38.10 | 9.7 | 160.0/35993 | 176.0 | 10.4 | | | | | | | | | | |
| S110 | 152.40 | 32.00 | 54.10 | 15.88 | 111.3 | 38.10 | 9.7 | 160.0/35993 | 176.0 | 9.8 | | | | | | | | | | |
| S111 | 120.90 | 36.60 | 66.80 | 19.05 | 131.2 | 50.80 | 9.7 | 214.0/48141 | 235.4 | 15.9 | | | | | | | | | | |
| S131 | 78.11 | 32.00 | 33.50 | 15.88 | 90.5 | 38.10 | 9.7 | 160.0/35993 | 176.0 | 11.6 | | | | | | | | | | |
| S150 | 153.67 | 44.70 | 84.30 | 25.40 | 164.6 | 63.50 | 12.7 | 378.0/85034 | 416.0 | 25.7 | | | | | | | | | | |
| S188 | 66.27 | 22.40 | 26.90 | 12.70 | 68.6 | 28.40 | 6.4 | 102.0/22946 | 112.2 | 5.6 | | | | | | | | | | |
| S856 | 152.40 | 44.40 | 76.20 | 25.40 | 154.9 | 63.50 | 12.7 | 365.0/82110 | 401.5 | 25.0 | | | | | | | | | | |
| S857 | 152.40 | 44.40 | 76.20 | 25.40 | 154.9 | 82.60 | 12.7 | 432.0/97182 | 475.2 | 32.0 | | | | | | | | | | |
| S859 | 152.40 | 60.40 | 95.30 | 31.75 | 188.5 | 101.60 | 16.0 | 690.0/155221 | 759.0 | 55.9 | | | | | | | | | | |
| S864 | 177.80 | 60.40 | 95.30 | 31.75 | 188.5 | 101.60 | 16.0 | 690.0/155221 | 759.0 | 51.8 | | | | | | | | | | |
| S102.5 | 102.36 | 34.93 | 57.15 | 19.05 | 115.0 | 44.45 | 9.5 | 214.0/48141 | 235.4 | 14.09 | | | | | | | | | | |
| S110F1 | 152.40 | 31.75 | 53.48 | 15.88 | 111.0 | 44.45 | 9.5 | 160.0/35993 | 176.0 | 10.50 | | | | | | | | | | |
| S111F1 | 120.90 | 36.51 | 66.68 | 19.05 | 125.0 | 50.80 | 9.5 | 214.0/48141 | 235.4 | 15.46 | | | | | | | | | | |

Engineering bush chain with attachments



| ANSI Chain No. | P | G | F | W | h4 | d4 | T |
|----------------|--------|------|-------|-------|------|------|-----|
| | mm | mm | mm | mm | mm | mm | mm |
| *S102B | 101.60 | 77.0 | 121.0 | 180.8 | 25.4 | 10.2 | 9.7 |
| S131 | 78.11 | 73.9 | 104.6 | 157.0 | 25.4 | 13.5 | 9.7 |
| S188 | 66.27 | 54.6 | 95.2 | 131.6 | 20.6 | 10.2 | 6.4 |

*S102B only with A-1 attachments